

Cable gland series NAV for non-armoured cables from 1/4" to 4"

NAV series cable glands are suitable for use in hazardous areas with danger of explosion to enable direct insertion of non-armoured cables into explosion-proof junction boxes, lighting fixtures, plugs and sockets, etc. Thanks to their structure, they are particularly suitable both in harsh application, such as marine one, and places subjected to stress and mechanical shock as it often happens in all those places of the "heavy" industry where safety is a top priority. They are provided with one sealing ring which tightens the incoming cable ensuring the anti-loosening and the 'Ex d' way of protection and the IP 66/68. The result is a cable gland which provides maximum performance in terms of reliability and safety over time, is compatible with a wide range of the main, commercially available cables, and complies with the most recent applicable regulations.



[NAV.. assembly instructions video](#)

Classification: 2014/34/EU	Group II	Category 2GD/3G
Installation: EN 60079-14	zone 1 - zone 2 (Gas)	zone 21 - zone 22 (Dust)
Marking:	CE 0722 Ex II 2 GD - Ex db IIC Gb - Ex eb IIC Gb II 2 D - Ex tb IIIC Db II 3G Ex nR IIC Gc - IP66/68	
Certification:	ATEX (category 2):	IMQ 17 ATEX 016X
	ATEX (category 3):	IMQ 17 ATEX 017X
Standards:	IEC Ex	IECEX IMQ 17.0010X
	For IEC Ex and others certifications data can be downloaded at www.elfit.com	
Standards:	CENELEC EN 60079-0: 2018, EN 60079-1: 2014, EN 60079-7: 2015, EN 60079-15: 2019, EN 60079-31: 2014 and EUROPEAN DIRECTIVE 2014/34/EU IEC60079-0: 2017, IEC60079-1: 2014, IEC60079-7: 2017, IEC60079-15: 2017, IEC60079-31: 2013 RoHS Directive 2002/95/EC	
Operating temperature:	-60 °C +130 °C	
Protection rating:	IP66/68 (30 meters - 12 hours)	
Design	BS 6121: Part 1:1989, IEC 62444, EN 62444	

Certificates are available on www.elfit.com

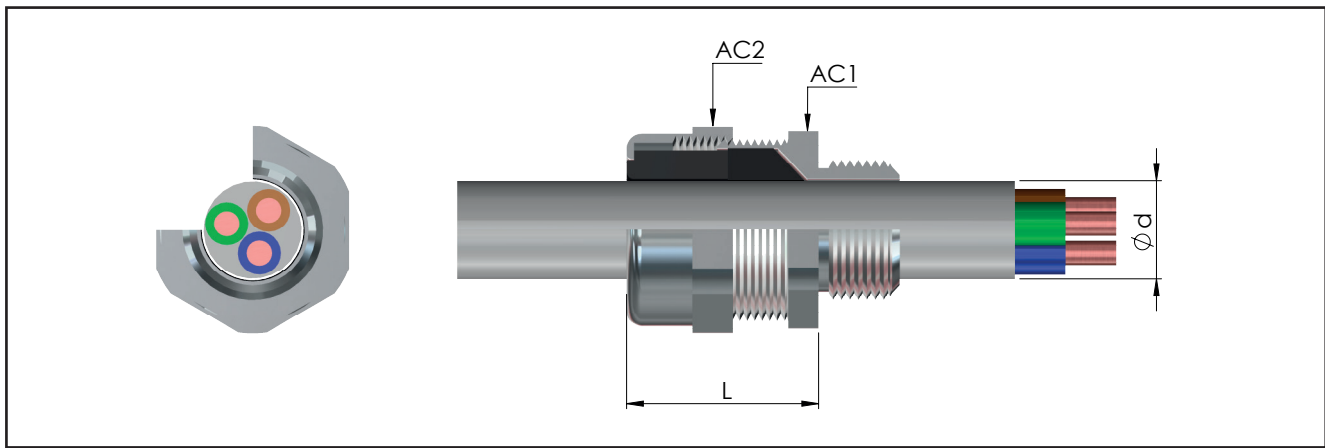
ACCESSORIES UPON REQUEST

Locknuts	ISO thread	Nickel-plated brass	Galvanized steel	Stainless steel
	M12x1,5	DL02IB	DL02IG	DL02IS
	M16x1,5	DL01IB	DL01IG	DL01IS
	M20x1,5	DL11IB	DL11IG	DL11IS
	M25x1,5	DL21IB	DL21IG	DL21IS
	M32x1,5	DL31IB	DL31IG	DL31IS
	M40x1,5	DL41IB	DL41IG	DL41IS
	M50x1,5	DL51IB	DL51IG	DL51IS
	M63x1,5	DL61IB	DL61IG	DL61IS
	M75x1,5	DL71IB	DL71IG	DL71IS
	M90x1,5	DL81IB	DL81IG	DL81IS
	M100x1,5	DL101IB	DL101IG	DL101IS
	M115x1,5	DL115IB	DL115IG	DL115IS

Black TPV protector	Cableglands	Code	
	NAV01NB	NAV16IB	PGA1F
	NAV1SNB	NAV20SIB	PGA1N
	NAV1NB	NAV20IB	PGA1
	NAV2NB	NAV25IB	PGA2N
	NAV3NB	NAV32IB	PGA4
	NAV4NB	NAV40IB	PGA4
	NAV5SNB	NAV50SIB	PGA5
	NAV5NB	NAV50IB	PGA5N
	NAV6SNB	NAV63SIB	PGA6
	NAV6NB	NAV63IB	PGA6
NAV7SNB	NAV75SIB	PGA7	
NAV7NB	NAV75IB	GTR7 Heat shrinkable	
NAV8NB	NAV90IB		
NAV9NB	NAV100IB		
NAV10NB	NAV115IB		

Nickel-plated brass earthing rings	ISO thread	Nickel-plated brass	Stainless steel	Serrated stainless steel lock washers	Code	Adapters and reducers of the RE... series
	M12x1,5	A0231IB	A0231IS		RD102IS/A4	
	M16x1,5	A0131IB	A0131IS		RD101IS/A4	
	M20x1,5	A131IB	A131IS		RD11IS/A4	
	M25x1,5	A231IB	A231IS		RD12IS/A4	
	M32x1,5	A331IB	A331IS		RD13IS/A4	
	M40x1,5	A431IB	A431IS		RD14IS/A4	
	M50x1,5	A531IB	A531IS		RD15IS/A4	
	M63x1,5	A631IB	A631IS		RD16IS/A4	
	M75x1,5	A731IB	A731IS			
	M90x1,5	A831IB	A831IS			
	M100x1,5	A1031IB	A1031IS			
	M115x1,5	A1031IB	A1031IS			

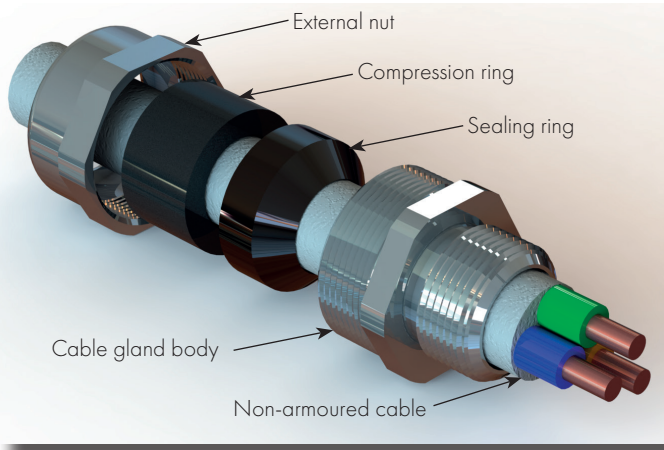
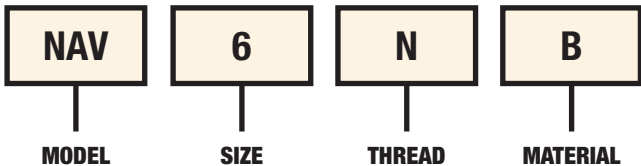
* For different threads, contact the sales department.



CABLE GLAND SELECTION TABLE								
Code Nickel-plated brass	Thread	Code Nickel-plated brass	Thread	Dimensions in mm			Range	Weight
				AC1	AC2	L	Ød min-max Outer sheath of the cable	Kg
NAV02NB	1/4" NPT	NAV12IB	M12x1,5	18	18	34	3.0 - 6.0	0,060
NAV01NB	3/8" NPT	NAV16IB	M16x1,5	24	24	34	3.5 - 8.6	0,086
NAV1SNB	1/2" NPT	NAV20SIB	M20x1,5	24	26	34	6.3 - 11.6	0,093
NAV1NB	1/2" NPT	NAV20IB	M20x1,5	30	32	37	6.5 - 14	0,126
NAV2NB	3/4" NPT	NAV25IB	M25x1,5	36	38	37	11 - 20	0,153
NAV3NB	1" NPT	NAV32IB	M32x1,5	45	47	40	17 - 27	0,232
NAV4NB	1 1/4" NPT	NAV40IB	M40x1,5	50	52	40	22 - 32	0,295
NAV5SNB	1 1/2" NPT	NAV50SIB	M50x1,5	55	57	43	29.5 - 38	0,374
NAV5NB	2" NPT	NAV50IB	M50x1,5	62/60*	62	43	35.5 - 44	0,329
NAV6SNB	2" NPT	NAV63SIB	M63x1,5	68	77	51	40 - 50	0,753
NAV6NB	2 1/2" NPT	NAV63IB	M63x1,5	75/73*	77	52	47 - 56	0,732
NAV7SNB	2 1/2" NPT	NAV75SIB	M75x1,5	80	82	55	53 - 62	0,714
NAV7NB	3" NPT	NAV75IB	M75x1,5	90/85*	90	56	59 - 68	0,627
NAV8NB	3" NPT	NAV90IB	M90x1,5	100	110	59	66 - 79	1,384
NAV9NB	3 1/2" NPT	NAV100IB	M100x1,5	115	120	62	76 - 91	1,316
NAV10NB	4" NPT	NAV115IB	M115x1,5	120	130	62	86 - 98	1,937

* Dimensions with threaded: NPT / ISO

Sample order code



TECHNICAL NOTES:

- Silicone o-rings are supplied for cylindrical threads (ISO metric) for the pre-assembled IP seal on the cable gland
- The ISO7/1 thread version is available upon request (sample code NAV1B)
- Also available in stainless steel AISI 316 (sample code NAV1S)
- Other materials on request
- For "Ex i" intrinsic safety version, RAL 5015 blue nut (sample code NAV1IA)