

Cable glands series NAVN for non-armoured cable with male entry

NAVN series cable glands, with a male outlet fitting, are suitable for use in areas with the risk of explosion, allowing the direct insertion of non-armoured cables in explosion proof enclosures, light fixtures, outlets, plugs, etc. Their structure makes them suitable for environments which are particularly difficult, such as marine environments, or where there are subjected to the mechanical stresses and impacts which often occur in heavy industry, where safety is the utmost priority. They are supplied with a sealing ring which is stretched over the cable at the inlet, ensuring the anti-loosening, 'Ex d' execution and an IP66/68 protection rating. The result is a cable gland which provides maximum performance, long-term reliability and safety, is compatible with a wide range of the main, commercially available cables, and complies with the most recent applicable regulations.



Interactive Point



[NAV assembly instructions video](#)

Classification: 2014/34/EU	Group II	Category 2GD/3G
Installation: EN 60079-14	zone 1 - zone 2 (Gas)	zone 21 - zone 22 (Dust)
Marking:	CE 0722 Ex II 2 GD - Ex db IIC Gb - Ex eb IIC Gb II 2 D - Ex tb IIC Db II 3G Ex nR IIC Gc - IP66/68	
Certification:	ATEX (category 2):	IMQ 17 ATEX 016X
	ATEX (category 3):	IMQ 17 ATEX 017X
	IEC Ex	IECEx IMQ 17.0010X <small>IEC Ex certification data can be downloaded at www.elfit.com</small>
Standards:	CENELEC EN 60079-0: 2018, EN 60079-1: 2014, EN 60079-7: 2015, EN 60079-15: 2019, EN 60079-31: 2014 and EUROPEAN DIRECTIVE 2014/34/EU IEC60079-0: 2017, IEC60079-1: 2014, IEC60079-7: 2017, IEC60079-15: 2017, IEC60079-31: 2013 RoHS Directive 2002/95/EC	
Operating temperature:	-60 °C +130 °C	
Protection rating:	IP66/68 (30 meters - 12 hours)	
Design	BS 6121: Part 1:1989, IEC 62444, EN 62444	

Certificates are available on www.elfit.com

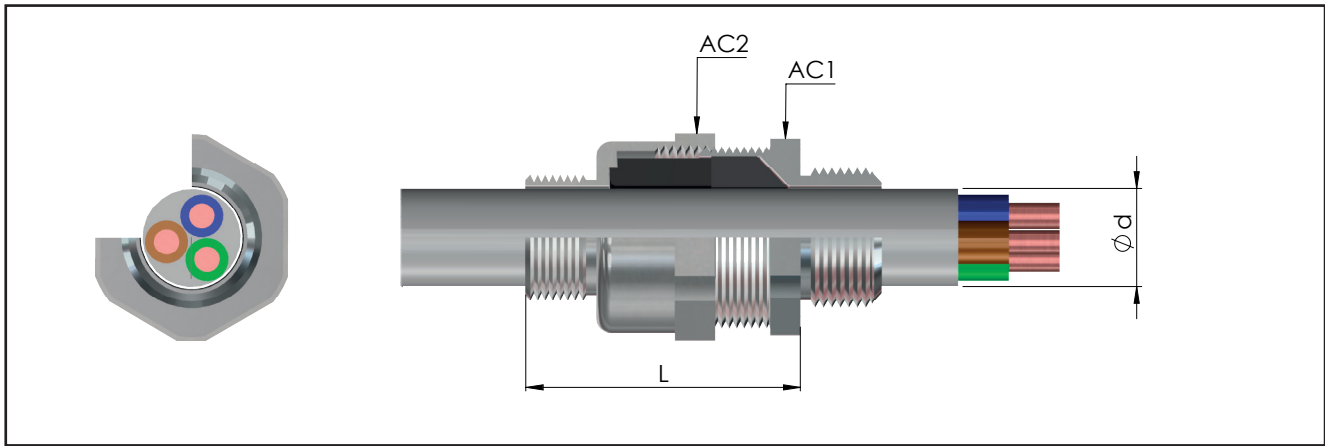
ACCESSORIES UPON REQUEST

Locknuts	ISO thread	Nickel-plated brass	Galvanized steel	Stainless steel	Sealing ring for flat/healing cables
	M12x1,5	DL02IB	DL02IG	DL02IS	
	M16x1,5	DL01IB	DL01IG	DL01IS	
	M20x1,5	DL1IB	DL1IG	DL1IS	
	M25x1,5	DL2IB	DL2IG	DL2IS	
	M32x1,5	DL3IB	DL3IG	DL3IS	
	M40x1,5	DL4IB	DL4IG	DL4IS	
	M50x1,5	DL5IB	DL5IG	DL5IS	
	M63x1,5	DL6IB	DL6IG	DL6IS	
	M75x1,5	DL7IB	DL7IG	DL7IS	
	M90x1,5	DL8IB	DL8IG	DL8IS	
	M100x1,5	DL10IB	DL10IG	DL10IS	
	M115x1,5	DL115IB	DL115IG	DL115IS	

Code and dimensions are in the page pagina A.16

Nickel-plated brass earthing rings	ISO thread	Nickel-plated brass	Stainless steel	Serrated stainless steel lock washers	Code	Adapters and reducers of the RE... series
	M12x1,5	A0231IB	A0231IS		RD101S/A4 RD11S/A4 RD12S/A4 RD13S/A4 RD14S/A4 RD15S/A4 RD16S/A4	
	M16x1,5	A0131IB	A0131IS			
	M20x1,5	A131IB	A131IS			
	M25x1,5	A231IB	A231IS			
	M32x1,5	A331IB	A331IS			
	M40x1,5	A431IB	A431IS			
	M50x1,5	A531IB	A531IS			
	M63x1,5	A631IB	A631IS			
	M75x1,5	A731IB	A731IS			
	M90x1,5	A831IB	A831IS			
	M100x1,5	A1031IB	A1031IS			
	M115x1,5	A1031B	A1031S			

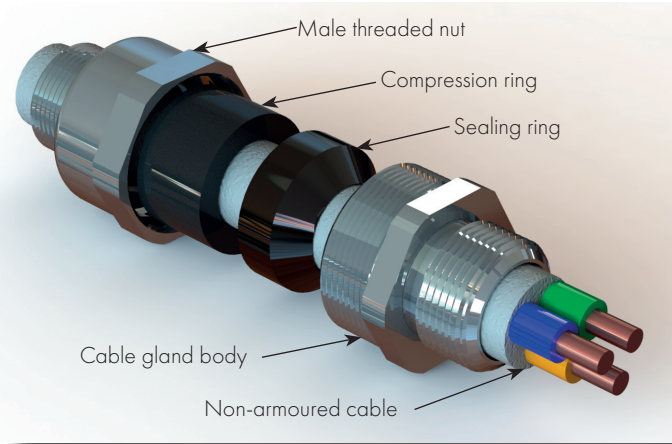
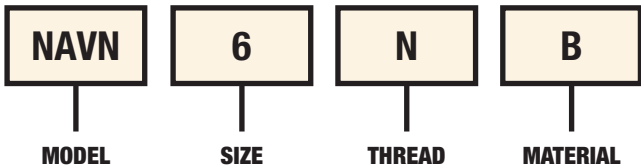
* For different threads, contact the sales department.



CABLE GLAND SELECTION TABLE								
Code Nickel-plated brass	Thread	Code Nickel-plated brass	Thread	Dimensions in mm			Range	Weight Kg
				AC1	AC2	L	Ød min-max Outer sheath of the cable	
NAVN02NB	1/4" NPT	NAVN12IB	M12x1,5	18	18	52	3.0 - 6.0	0,110
NAVN01NB	3/8" NPT	NAVN16IB	M16x1,5	24	24	53	3.5 - 8.6	0,150
NAVN1SNB	1/2" NPT	NAVN20SIB	M20x1,5	24	26	53	6.3 - 11.6	0,172
NAVN1NB	1/2" NPT	NAVN20IB	M20x1,5	30	32	56	6.5 - 14	0,233
NAVN2NB	3/4" NPT	NAVN25IB	M25x1,5	36	38	56	11 - 20	0,303
NAVN3NB	1" NPT	NAVN32IB	M32x1,5	45	47	59	17 - 27	0,436
NAVN4NB	1 1/4" NPT	NAVN40IB	M40x1,5	50	52	59	22 - 32	0,566
NAVN5SNB	1 1/2" NPT	NAVN50SIB	M50x1,5	55	57	63	29.5 - 38	0,748
NAVN5NB	2" NPT	NAVN50IB	M50x1,5	62/60*	62	63	35.5 - 44	0,673
NAVN6SNB	2" NPT	NAVN63SIB	M63x1,5	68	77	74	40 - 50	1,361
NAVN6NB	2 1/2" NPT	NAVN63IB	M63x1,5	75/73*	77	75	47 - 56	0,748
NAVN7SNB	2 1/2" NPT	NAVN75SIB	M75x1,5	80	82	77	53 - 62	1,479
NAVN7NB	3" NPT	NAVN75IB	M75x1,5	90/85*	90	78	59 - 68	1,235
NAVN8NB	3" NPT	NAVN90IB	M90x1,5	100	110	88	66 - 79	2,466
NAVN9NB	3 1/2" NPT	NAVN100IB	M100x1,5	115	120	92	76 - 91	2,687
NAVN10NB	4" NPT	NAVN115IB	M115x1,5	120	130	92	86 - 98	3,702

* Dimensions with threaded: NPT / ISO

Sample order code



TECHNICAL NOTES:

- Silicone o-rings are supplied for cylindrical threads (ISO metric) for the pre-assembled IP seal on the cable gland
- The ISO7/1 thread version is available upon request (sample code NAVN1B)
- Also available in stainless steel AISI 316 (sample code NAVN1S)
- Other materials on request
- For "Ex i" intrinsic safety version, RAL 5015 blue nut (sample code NAVN1IA)