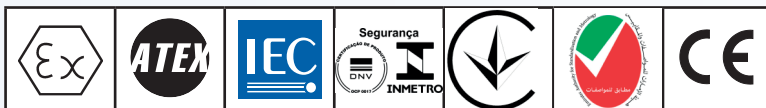


Cable gland series NEV for armoured cables from 1/4" to 4"

NEV series cable glands are suitable for use in areas with the risk of explosion, allowing the direct insertion of armoured cables in explosion proof enclosures. They are supplied with a sealing ring which is stretched over the cable at the inlet ensuring the anti-loosening, 'Ex d' execution, and a second compression ring which is stretched over the cable armour at the outlet to guarantee an IP 66/68 protection rating. The result is a cable gland which provides maximum performance in terms of reliability and safety over time, is compatible with a wide range of the main, commercially available cables, and complies with the most recent applicable regulations. Their structure makes them suitable for environments which are particularly difficult, such as marine environments, or where there are subjected to the mechanical stresses and impacts which often occur in heavy industry, where safety is the utmost priority.



[See Video with assembly instructions for NEV.. \(light armoured\)](#)



[See Video with assembly instructions for NEV.. \(heavy armoured\)](#)

Classification: 2014/34/EU	Group II	Category 2GD/3G
Installation: EN 60079-14	zone 1 - zone 2 (Gas)	zone 21 - zone 22 (Dust)
Marking:	CE 0722 Ex II 2 GD - Ex db IIC Gb - Ex eb IIC Gb II 2 D - Ex tb IIIC Db II 3G Ex nR IIC Gc - IP66/68	
Certification:	ATEX (category 2):	IMQ 17 ATEX 016X
	ATEX (category 3):	IMQ 17 ATEX 017X
Standards:	IEC Ex IECEx IMQ 17.0010X <small>For IEC Ex and others certifications data can be downloaded at www.elfit.com</small> CENELEC EN 60079-0: 2018, EN 60079-1: 2014, EN 60079-7: 2015, EN 60079-15: 2019, EN 60079-31: 2014 and EUROPEAN DIRECTIVE 2014/34/EU IEC60079-0: 2017, IEC60079-1: 2014, IEC60079-7: 2017, IEC60079-15: 2017, IEC60079-31: 2013 RoHS Directive 2011/65/UE	
Operating temperature:	-60 °C +130 °C	
Protection rating:	IP66/68 (30 meters - 12 hours)	
Design	BS 6121: Part 1:1989, IEC 62444, EN 62444	

Certificates are available on www.elfit.com

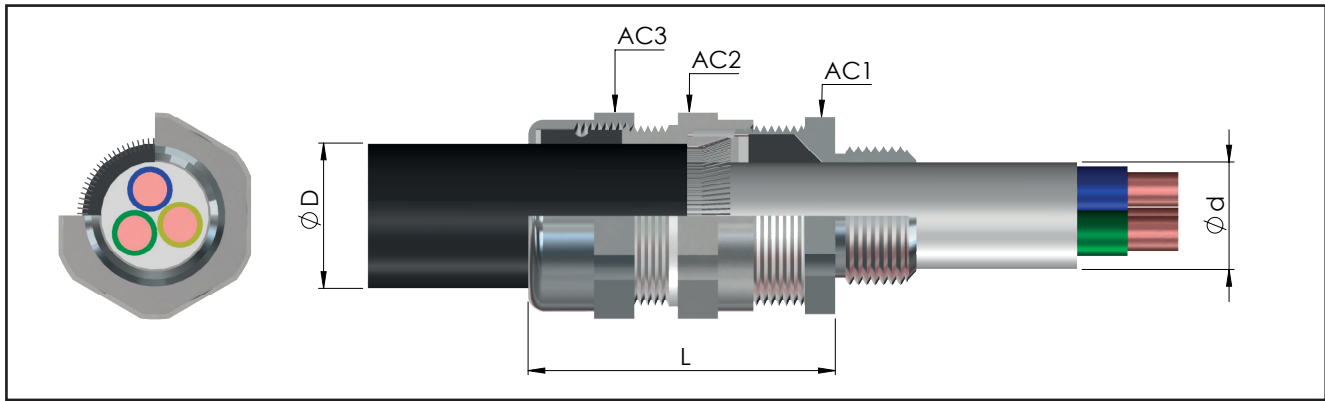
ACCESSORIES UPON REQUEST

Locknuts	ISO thread	Nickel-plated brass	Galvanized steel	Stainless steel
	M12x1,5	DL02IB	DL02IG	DL02IS
	M16x1,5	DL01IB	DL01IG	DL01IS
	M20x1,5	DL11IB	DL11IG	DL11IS
	M25x1,5	DL21IB	DL21IG	DL21IS
	M32x1,5	DL31IB	DL31IG	DL31IS
	M40x1,5	DL41IB	DL41IG	DL41IS
	M50x1,5	DL51IB	DL51IG	DL51IS
	M63x1,5	DL61IB	DL61IG	DL61IS
	M75x1,5	DL71IB	DL71IG	DL71IS
	M90x1,5	DL81IB	DL81IG	DL81IS
	M100x1,5	DL10IB	DL10IG	DL10IS
M115x1,5	DL115IB	DL115IG	DL115IS	

Black TPV protector	Cableglands	Code
	NEV01NB NEV161B	PGA1F
	NEV1SNB NEV20S1B	PGA1N
	NEV1NB NEV201B	PGA1
	NEV2NB NEV251B	PGA2N
	NEV3NB NEV321B	PGA4
	NEV4NB NEV401B	PGA4
	NEV5SNB NEV50S1B	PGA5
	NEV5NB NEV501B	PGA5N
	NEV6SNB NEV63S1B	PGA6
	NEV6NB NEV631B	PGA7
NEV7SNB NEV75S1B	GTR7 Heat shrinkable	
NEV7NB NEV751B		
NEV8NB NEV901B		
NEV9NB NEV1001B		
NEV10NB NEV1151B		

Nickel-plated brass earthing rings	ISO thread	Nickel-plated brass	Stainless steel	Serrated stainless steel lock washers	Code	Adapters and reducers of the RE... series
	M12x1,5	A02311B	A02311S		RD102IS/A4	
	M16x1,5	A01311B	A01311S		RD101IS/A4	
	M20x1,5	A1311B	A1311S		RD11IS/A4	
	M25x1,5	A2311B	A2311S		RD12IS/A4	
	M32x1,5	A3311B	A3311S		RD13IS/A4	
	M40x1,5	A4311B	A4311S		RD14IS/A4	
	M50x1,5	A5311B	A5311S		RD15IS/A4	
	M63x1,5	A6311B	A6311S		RD16IS/A4	
	M75x1,5	A7311B	A7311S			
	M90x1,5	A8311B	A8311S			
	M100x1,5	A10311B	A10311S			
	M115x1,5	A10311B	A10311S			

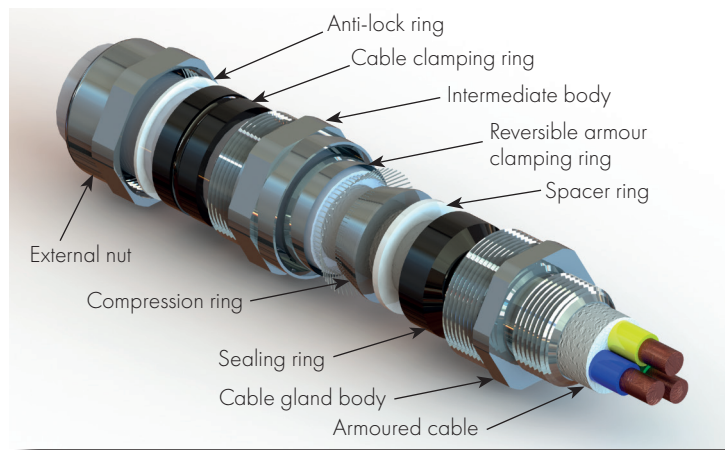
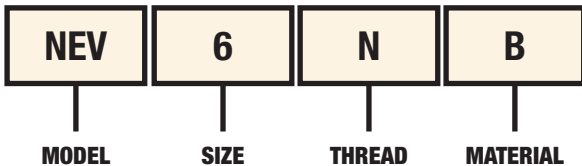
* For different threads, contact the sales department.



CABLE GLAND SELECTION TABLE											
Code Nickel-plated brass	Thread	Code Nickel-plated brass	Thread	Dimensions in mm				Range		Armour thickness	Weight Kg
				AC1	AC2	AC3	L	Ød min-max Internal cable sheath	ØD min-max Outer sheath of the cable		
NEV02NB	1/4" NPT	NEV12IB	M12x1,5	18	18	18	58	3.0 - 6.0	6 - 10.0	0.2 - 1.3	0,100
NEV01NB	3/8" NPT	NEV16IB	M16x1,5	24	24	24	59	3.5 - 8.6	6 - 13.2	0.2 - 1.3	0,145
NEV1SNB	1/2" NPT	NEV20SIB	M20x1,5	24	26	26	59	6.3 - 11.6	9.5 - 16	0.2 - 1.3	0,157
NEV1NB	1/2" NPT	NEV20IB	M20x1,5	30	32	32	61	6.5 - 14	12.5 - 21	0.2 - 1.4	0,215
NEV2NB	3/4" NPT	NEV25IB	M25x1,5	36	38	38	61	11 - 20	20 - 27.5	0.2 - 1.6	0,261
NEV3NB	1" NPT	NEV32IB	M32x1,5	45	47	47	72	17 - 27	23.5 - 34	0.2 - 2.0	0,433
NEV4NB	1 1/4" NPT	NEV40IB	M40x1,5	50	52	52	73	22 - 32	26 - 40	0.2 - 2.2	0,514
NEV5SNB	1 1/2" NPT	NEV50SIB	M50x1,5	55	57	57	80	29.5 - 38	35 - 46.5	0.2 - 2.5	0,610
NEV5NB	2" NPT	NEV50IB	M50x1,5	62/60*	62	62	81	35.5 - 44	38 - 53	0.2 - 2.5	0,562
NEV6SNB	2" NPT	NEV63SIB	M63x1,5	68	75	77	91	40 - 50	45.5 - 59.5	0.2 - 2.5	1,151
NEV6NB	2 1/2" NPT	NEV63IB	M63x1,5	75/73*	80	82	93	47 - 56	54.5 - 66	0.2 - 2.5	1,100
NEV7SNB	2 1/2" NPT	NEV75SIB	M75x1,5	80	85	90	97	53 - 62	57 - 72	0.2 - 2.8	1,308
NEV7NB	3" NPT	NEV75IB	M75x1,5	90/85*	95	100	99	59 - 68	66.5 - 78.5	0.2 - 2.8	1,538
NEV8NB	3" NPT	NEV90IB	M90x1,5	100	105	110	104	66 - 79	76.5 - 90	0.2 - 2.8	2,000
NEV9NB	3 1/2" NPT	NEV100IB	M100x1,5	115	120	120	111	76 - 91	86 - 101	0.2 - 3.3	2,381
NEV10NB	4" NPT	NEV115IB	M115x1,5	120	125	130	112	86 - 98	100 - 110	0.2 - 3.5	2,783

* Dimensions with threaded: NPT / ISO

Sample order code



TECHNICAL NOTES:

- Silicone o-rings are supplied for cylindrical threads (ISO metric) for the pre-assembled IP seal on the cable gland
- The ISO7/1 thread version is available upon request (sample code NEV1B)
- Also available in stainless steel AISI 316 (sample code NEV1S)
- Other materials on request
- For "Ex i" intrinsic safety version, RAL 5015 blue nut (sample code NEV1SIA)
- Internal ring for armoured cables with larger cross-section