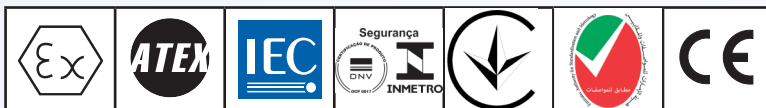


Cable gland series NEV for armoured cables from 1/4" to 4"

NEV series cable glands are suitable for use in areas with the risk of explosion, allowing the direct insertion of armoured cables in explosion proof enclosures. They are supplied with a sealing ring which is stretched over the cable at the inlet ensuring the anti-loosening, 'Ex d' execution, and a second compression ring which is stretched over the cable armour at the outlet to guarantee an IP 66/68 protection rating. The result is a cable gland which provides maximum performance in terms of reliability and safety over time, is compatible with a wide range of the main, commercially available cables, and complies with the most recent applicable regulations. Their structure makes them suitable for environments which are particularly difficult, such as marine environments, or where there are subjected to the mechanical stresses and impacts which often occur in heavy industry, where safety is the utmost priority.



See Video with assembly instructions for NEV.. (light armoured)



See Video with assembly instructions for NEV.. (heavy armoured)

Classification: 2014/34/EU	Group II	Category 2GD/3G
Installation: EN 60079-14	zone 1 - zone 2 (Gas)	zone 21 - zone 22 (Dust)
Marking:	CE 0722 Ex II 2 GD - Ex db IIC Gb - Ex eb IIC Gb II 2 D - Ex tb IIIC Db II 3G Ex nR IIC Gc - IP66/68	
Certification:	ATEX (category 2):	IMQ 17 ATEX 016X
	ATEX (category 3):	IMQ 17 ATEX 017X
Standards:	IEC Ex	IECEX IMQ 17.0010X
	For IEC Ex and others certifications data can be downloaded at www.elfit.com	
Operating temperature:	-60 °C +130 °C	
	Protection rating:	IP66/68 (30 meters - 12 hours)
Design	BS 6121: Part 1:1989, IEC 62444, EN 62444	

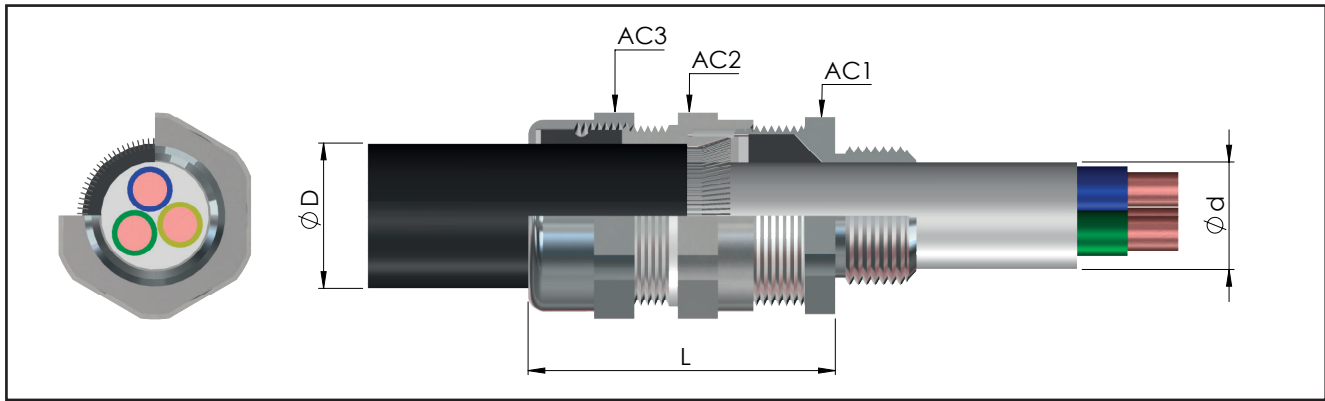
Certificates are available on www.elfit.com

ACCESSORIES UPON REQUEST

Locknuts	ISO thread	Nickel-plated brass	Galvanized steel	Stainless steel	Black TPV protector	Cableglands	Code	
	M12x1,5	DL02IB	DL02IG	DL02IS		NEV01NB	NEV16IB	PGA1F
	M16x1,5	DL01IB	DL01IG	DL01IS		NEV1SNB	NEV20SIB	PGA1N
	M20x1,5	DL11IB	DL11IG	DL11IS		NEV1NB	NEV20IB	PGA1
	M25x1,5	DL21IB	DL21IG	DL21IS		NEV2NB	NEV25IB	PGA2N
	M32x1,5	DL31IB	DL31IG	DL31IS		NEV3NB	NEV32IB	PGA4
	M40x1,5	DL41IB	DL41IG	DL41IS		NEV4NB	NEV40IB	PGA4
	M50x1,5	DL51IB	DL51IG	DL51IS		NEV5SNB	NEV50SIB	PGA5
	M63x1,5	DL61IB	DL61IG	DL61IS		NEV5NB	NEV50IB	PGA5N
	M75x1,5	DL71IB	DL71IG	DL71IS		NEV6SNB	NEV63SIB	PGA6
	M90x1,5	DL81IB	DL81IG	DL81IS		NEV6NB	NEV63IB	PGA7
	M100x1,5	DL10IB	DL10IG	DL10IS		NEV7SNB	NEV75SIB	GTR7 Heat shrinkable
	M115x1,5	DL115IB	DL115IG	DL115IS		NEV8NB	NEV90IB	
				NEV9NB	NEV100IB			
					NEV10NB	NEV115IB		

Nickel-plated brass earthing rings	ISO thread	Nickel-plated brass	Stainless steel	Serrated stainless steel lock washers	Code	Adapters and reducers of the RE... series
	M12x1,5	A0231IB	A0231IS		RD102IS/A4	
	M16x1,5	A0131IB	A0131IS		RD101IS/A4	
	M20x1,5	A131IB	A131IS		RD11IS/A4	
	M25x1,5	A231IB	A231IS		RD12IS/A4	
	M32x1,5	A331IB	A331IS		RD13IS/A4	
	M40x1,5	A431IB	A431IS		RD14IS/A4	
	M50x1,5	A531IB	A531IS		RD15IS/A4	
	M63x1,5	A631IB	A631IS		RD16IS/A4	
	M75x1,5	A731IB	A731IS			
	M90x1,5	A831IB	A831IS			
	M100x1,5	A1031IB	A1031IS			
	M115x1,5	A1031B	A1031S			

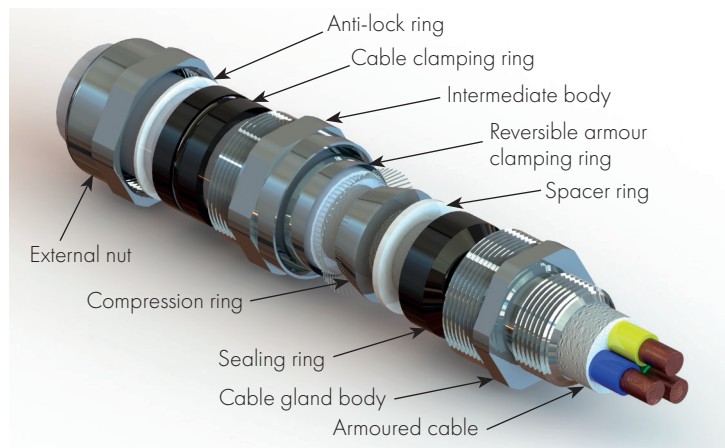
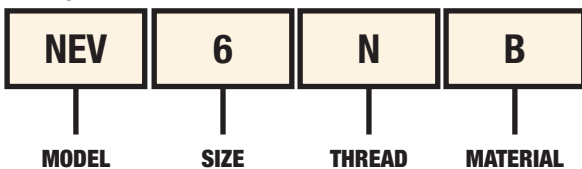
* For different threads, contact the sales department.



CABLE GLAND SELECTION TABLE											
Code Nickel-plated brass	Thread	Code Nickel-plated brass	Thread	Dimensions in mm				Range		Armour thickness	Weight Kg
				AC1	AC2	AC3	L	Ød min-max Internal cable sheath	ØD min-max Outer sheath of the cable		
NEV02NB	1/4" NPT	NEV12IB	M12x1,5	18	18	18	58	3.0 - 6.0	6 - 10.0	0.2 - 1.3	0,100
NEV01NB	3/8" NPT	NEV16IB	M16x1,5	24	24	24	59	3.5 - 8.6	6 - 13.2	0.2 - 1.3	0,145
NEV1SNB	1/2" NPT	NEV20SIB	M20x1,5	24	26	26	59	6.3 - 11.6	9.5 - 16	0.2 - 1.3	0,157
NEV1NB	1/2" NPT	NEV20IB	M20x1,5	30	32	32	61	6.5 - 14	12.5 - 21	0.2 - 1.4	0,215
NEV2NB	3/4" NPT	NEV25IB	M25x1,5	36	38	38	61	11 - 20	20 - 27.5	0.2 - 1.6	0,261
NEV3NB	1" NPT	NEV32IB	M32x1,5	45	47	47	72	17 - 27	23.5 - 34	0.2 - 2.0	0,433
NEV4NB	1 1/4" NPT	NEV40IB	M40x1,5	50	52	52	73	22 - 32	26 - 40	0.2 - 2.2	0,514
NEV5SNB	1 1/2" NPT	NEV50SIB	M50x1,5	55	57	57	80	29.5 - 38	35 - 46.5	0.2 - 2.5	0,610
NEV5NB	2" NPT	NEV50IB	M50x1,5	62/60*	62	62	81	35.5 - 44	38 - 53	0.2 - 2.5	0,562
NEV6SNB	2" NPT	NEV63SIB	M63x1,5	68	75	77	91	40 - 50	45.5 - 59.5	0.2 - 2.5	1,151
NEV6NB	2 1/2" NPT	NEV63IB	M63x1,5	75/73*	80	82	93	47 - 56	54.5 - 66	0.2 - 2.5	1,100
NEV7SNB	2 1/2" NPT	NEV75SIB	M75x1,5	80	85	90	97	53 - 62	57 - 72	0.2 - 2.8	1,308
NEV7NB	3" NPT	NEV75IB	M75x1,5	90/85*	95	100	99	59 - 68	66.5 - 78.5	0.2 - 2.8	1,538
NEV8NB	3" NPT	NEV90IB	M90x1,5	100	105	110	104	66 - 79	76.5 - 90	0.2 - 2.8	2,000
NEV9NB	3 1/2" NPT	NEV100IB	M100x1,5	115	120	120	111	76 - 91	86 - 101	0.2 - 3.3	2,381
NEV10NB	4" NPT	NEV115IB	M115x1,5	120	125	130	112	86 - 98	100 - 110	0.2 - 3.5	2,783

* Dimensions with threaded: NPT / ISO

Sample order code



TECHNICAL NOTES:

- Silicone o-rings are supplied for cylindrical threads (ISO metric) for the pre-assembled IP seal on the cable gland
- The ISO7/1 thread version is available upon request (sample code NEV1B)
- Also available in stainless steel AISI 316 (sample code NEV1S)
- Other materials on request
- For "Ex i" intrinsic safety version, RAL 5015 blue nut (sample code NEV1SIA)
- Internal ring for armoured cables with larger cross-section