

## Cable gland series NEVL for lead sheathed armoured cables

NEVL series cable glands are suitable for use in areas with the risk of explosion, allowing the direct insertion of armoured cables in explosion proof enclosures and the installation of lead sheathed cables. They are supplied with a sealing ring which is stretched over the cable at the inlet ensuring the anti-loosening, 'Ex d' execution, and a second compression ring which is stretched over the cable armour at the outlet to guarantee an IP 66/68 protection rating, and a metal ring which affixes to the outer surface of the lead sheath as it is wound, fastening it in place. Their structure makes them suitable for environments which are particularly difficult, such as marine environments, or where there are subjected to the mechanical stresses and impacts which often occur in heavy industry, where safety is the utmost priority.



[Safety, use and maintenance instructions](#)

<b>Classification:</b> 2014/34/EU	Group II	Category 2GD/3G
<b>Installation:</b> EN 60079-14	zone 1 - zone 2 (Gas)	zone 21 - zone 22 (Dust)
<b>Marking:</b>	CE 0722 Ex II 2 GD - Ex db IIC Gb - Ex eb IIC Gb II 2 D - Ex tb IIIC Db II 3G Ex nR IIC Gc - IP66/68	
<b>Certification:</b>	ATEX (category 2):	IMQ 17 ATEX 016X
	ATEX (category 3):	IMQ 17 ATEX 017X
	IEC Ex	IECEx IMQ 17.0010X <small>IEC Ex certification data can be downloaded at www.elfit.com</small>
<b>Standards:</b>	CENELEC EN 60079-0: 2018, EN 60079-1: 2014, EN 60079-7: 2015, EN 60079-15: 2019, EN 60079-31: 2014 and EUROPEAN DIRECTIVE 2014/34/EU IEC60079-0: 2017, IEC60079-1: 2014, IEC60079-7: 2017, IEC60079-15: 2017, IEC60079-31: 2013 RoHS Directive 2002/95/EC	
<b>Operating temperature:</b>	-60 °C +130 °C	
<b>Protection rating:</b>	IP66/68 (30 meters - 12 hours)	
<b>Design</b>	BS 6121: Part 1:1989, IEC 62444, EN 62444	

Certificates are available on [www.elfit.com](http://www.elfit.com)

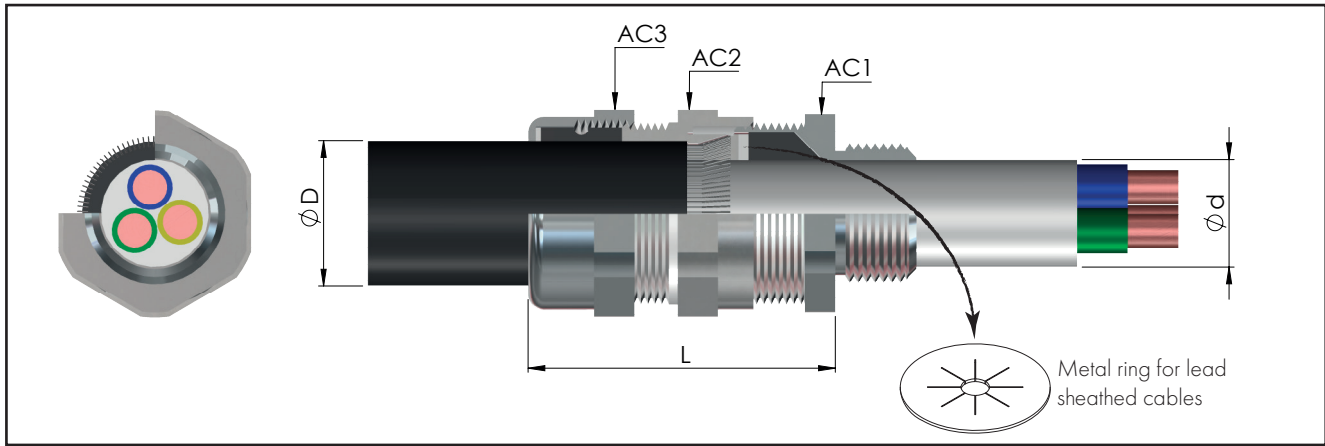
### ACCESSORIES UPON REQUEST

Locknuts	ISO thread	Nickel-plated brass	Galvanized steel	Stainless steel	Sealing ring for flat/healing cables	Black TPV protector	CG	Code
	M12x1,5	DL02IB	DL02IG	DL02IS			NEVL01NB	PGA1F
	M16x1,5	DL01IB	DL01IG	DL01IS			NEVL1SNB	PGA1N
	M20x1,5	DL1IB	DL1IG	DL1IS			NEVL1NB	PGA1
	M25x1,5	DL2IB	DL2IG	DL2IS			NEVL2NB	PGA2N
	M32x1,5	DL3IB	DL3IG	DL3IS			NEVL3NB	PGA4
	M40x1,5	DL4IB	DL4IG	DL4IS			NEVL4NB	PGA5
	M50x1,5	DL5IB	DL5IG	DL5IS			NEVL5SNB	PGA5
	M63x1,5	DL6IB	DL6IG	DL6IS			NEVL5NB	PGA5N
	M75x1,5	DL7IB	DL7IG	DL7IS			NEVL6SNB	PGA6
	M90x1,5	DL8IB	DL8IG	DL8IS			NEVL6NB	PGA7
	M100x1,5	DL10IB	DL10IG	DL10IS			NEVL7SNB	GTR Heat shrinkable
M115x1,5	DL115IB	DL115IG	DL115IS	NEVL7NB				
				NEVL8NB				
				NEVL9NB				
					NEVL10NB			

Nickel-plated brass earthing rings	ISO thread	Nickel-plated brass	Stainless steel	Serrated stainless steel lock washers	Code	Adapters and reducers of the RE... series
	M12x1,5	A0231B	A0231S		RD102IS/A4	
	M16x1,5	A0131B	A0131S		RD101IS/A4	
	M20x1,5	A131IB	A131IS		RD11IS/A4	
	M25x1,5	A231IB	A231IS		RD12IS/A4	
	M32x1,5	A331IB	A331IS		RD13IS/A4	
	M40x1,5	A431IB	A431IS		RD14IS/A4	
	M50x1,5	A531IB	A531IS		RD15IS/A4	
	M63x1,5	A631IB	A631IS		RD16IS/A4	
	M75x1,5	A731IB	A731IS			
	M90x1,5	A831IB	A831IS			
	M100x1,5	A1031B	A1031S			
	M115x1,5	A1031B	A1031S			

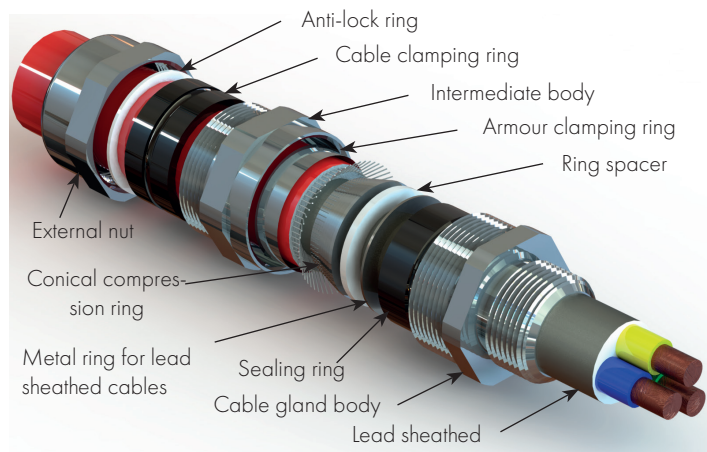
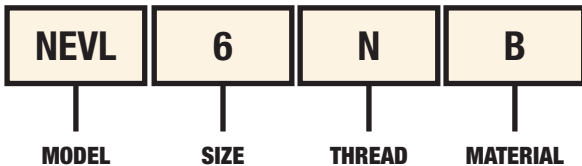
\* For different threads, contact the sales department.



CABLE GLAND SELECTION TABLE											
Code Nickel-plated brass	Thread	Code Nickel-plated brass	Thread	Dimensions in mm				Range		Armour thickness	Weight Kg
				AC1	AC2	AC3	L	Ød min-max Internal cable sheath	ØD min-max Outer sheath of the cable		
NEVL02NB	1/4" NPT	NEVL12IB	M12x1,5	18	18	18	59	3.0 - 6.0	6 - 10.0	0.2 - 1.3	0,100
NEVL01NB	3/8" NPT	NEVL16IB	M16x1,5	24	24	24	59	3.5 - 8.6	6 - 13.2	0.2 - 1.3	0,145
NEVL1SNB	1/2" NPT	NEVL20SIB	M20x1,5	24	26	26	59	6.3 - 11.6	9.5 - 16	0.2 - 1.3	0,157
NEVL1NB	1/2" NPT	NEVL20IB	M20x1,5	30	32	32	61	6.5 - 14	12.5 - 21	0.2 - 1.4	0,215
NEVL2NB	3/4" NPT	NEVL25IB	M25x1,5	36	38	38	61	11 - 20	20 - 27.5	0.2 - 1.6	0,261
NEVL3NB	1" NPT	NEVL32IB	M32x1,5	45	47	47	72	17 - 27	23.5 - 34	0.2 - 2.0	0,433
NEVL4NB	1 1/4" NPT	NEVL40IB	M40x1,5	50	52	52	73	22 - 32	26 - 40	0.2 - 2.2	0,514
NEVL5SNB	1 1/2" NPT	NEVL50SIB	M50x1,5	55	57	57	80	29.5 - 38	35 - 46.5	0.2 - 2.5	0,610
NEVL5NB	2" NPT	NEVL50IB	M50x1,5	62/60*	62	62	81	35.5 - 44	38 - 53	0.2 - 2.5	0,562
NEVL6SNB	2" NPT	NEVL63SIB	M63x1,5	68	75	77	91	40 - 50	45.5 - 59.5	0.2 - 2.5	1,151
NEVL6NB	2 1/2" NPT	NEVL63IB	M63x1,5	75/73*	80	82	93	47 - 56	54.5 - 66	0.2 - 2.5	1,100
NEVL7SNB	2 1/2" NPT	NEVL75SIB	M75x1,5	80	85	90	97	53 - 62	57 - 72	0.2 - 2.8	1,308
NEVL7NB	3" NPT	NEVL75IB	M75x1,5	90/85*	95	100	99	59 - 68	66.5 - 78.5	0.2 - 2.8	1,538
NEVL8NB	3" NPT	NEVL90IB	M90x1,5	100	105	110	104	66 - 79	76.5 - 90	0.2 - 2.8	2,000
NEVL9NB	3 1/2" NPT	NEVL100IB	M100x1,5	115	120	120	111	76 - 91	86 - 101	0.2 - 3.3	2,381
NEVL10NB	4" NPT	NEVL115IB	M115x1,5	120	125	130	112	86 - 98	100 - 110	0.2 - 3.5	2,783

\* Dimensions with threaded: NPT / ISO

Sample order code



TECHNICAL NOTES:

- Silicone o-rings are supplied for cylindrical threads (ISO metric) for the pre-assembled IP seal on the cable gland
- The ISO7/1 thread version is available upon request (sample code NEVL1B)
- Also available in stainless steel AISI 316 (sample code NEVL1S)
- Other materials on request
- For "Ex i" intrinsic safety version, RAL 5015 blue nut (sample code NEVL1SIA)
- Internal ring for armoured cables with larger cross-section