

TIGER

- Suitable for high (+60°C) and low temperatures (-50°C)
- Fast maintenance
- Easy to wire
- Zones 2, 21, 22

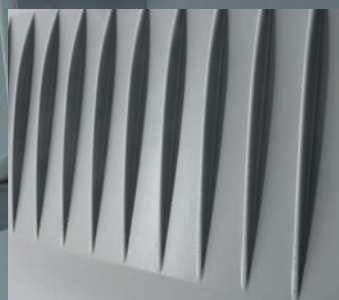
Shock resistant tempered glass



Corrosion resistant aluminium clips



Cooling fins



Adjustable tracking sonimeter



TIGER series Rectangular floodlights

TIGER series floodlights have been manufactured and tested in compliance with European standards for use in hazardous areas classified as Zone 2 due to the presence of gases and as Zone 21, 22 for the presence of dusts. When fitted with a symmetrical internal reflector, they are ideal for lighting large areas and when fitted with an asymmetrical reflector they provide a concentrated beam of light exactly where it is required. Their IP66 degree of protection and excellent performance at high (+60°C) and low (-50°C) temperatures makes TIGER floodlights ideal for all those settings where climatic conditions are extreme. Wiring is greatly facilitated by the use of specially designated terminals that speed up installation and prevent wrong connections. The electrical components are easily accessed (ballast, capacitor, igniter) and are pre-wired to the terminal board this reducing maintenance time and installation costs.

Application sectors:

							
Oil refineries	Perimeter lighting	Aircraft storage facilities Hangars	Service stations	Low temperatures	Oil loading/unloading jetties	Fuel tanker loading/unloading areas	Farm produce applications

CERTIFICATION DATA

Classification:

Group II

Category 3GD

Installation: EN 60079.14

zone 2 (Gas)

zone 22 (Dust)

zone 21
(for IECEx, TR CU e INMETRO)

Marking:

CE 0722  II 3GD Ex nR IIC T3, T2 Gc; Ex tc IIIC T145°C ÷ T210°C Dc IP66

Certification:

ATEX CESI 06 ATEX 054

IEC Ex ITS 12.0004X

All IEC Ex certification data can be downloaded at www.cortemgroup.com

Standards:

CENELEC EN 60079-0: 2012, EN 60079-15: 2010, EN60079-31: 2009, EN 60529:1991 and EUROPEAN DIRECTIVE 2014/34/UE
IEC 60079-0: 2011, IEC 60079-15: 2010, IEC 60079-31: 2008, IEC 60529: 2001
European Directive 2004/108 Electromagnetic compatibility
European Directive 2012/19/UE, 2002/96/CE, 2003/108/CE WEEE
European Directive 2011/65/UE RoHS

 **Class temperature:**

 300°C (T2)

 200°C (T3)

 **Ambient temperature:**

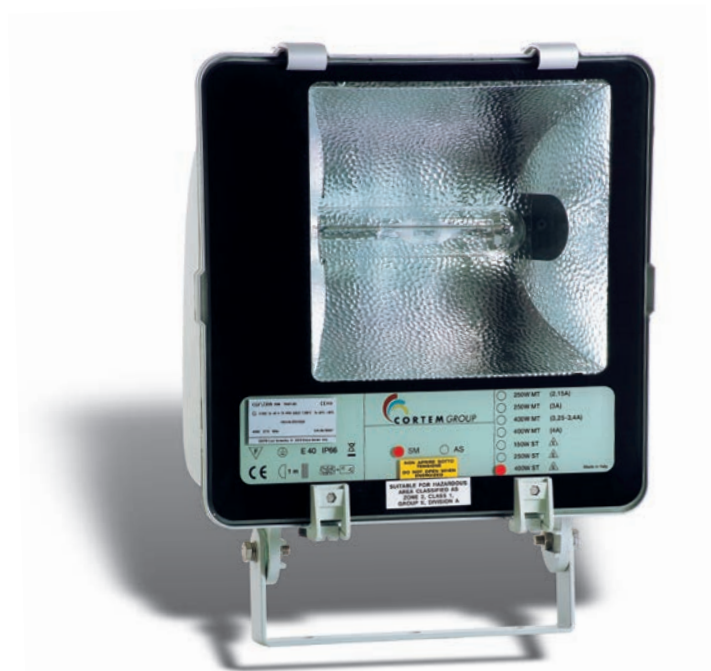
 Standard  -25°C +60°C

 Special  -50°C +60°C

Degree of protection:

IP66

TIGER series Rectangular floodlights



ORIGINAL PRODUCT

MECHANICAL FEATURES

Body:	Die-cast aluminium (EN AB 46100)
Glass:	Tempered to withstand shock and high temperatures
Gaskets:	Acid, hydrocarbon and high temperature resistant silicone
Internal reflector:	Symmetrical and asymmetrical (see photometric diagrams) in 99.85 oxidised, polished aluminium
Supporting bracket:	5 mm galvanised steel with index for tracking goniometer
Mounting:	2 x Ø11 and 1 x Ø13 holes mm
Bolts and screws:	Stainless steel
Locking mechanism:	Aluminium clips
Hinge:	Stainless steel
Entries:	1xISO M20 entry. Floodlight fixture complete with cable gland NAVP20IXE for non armoured cable
Coating:	Polyester Ral 7035 (Light grey)


ELECTRICAL FEATURES

Lamp holder:	E40 ceramic
Rated voltage:	230 V AC
Rated frequency:	50 Hz
Connection:	Direct connection to the terminal board L, N, Pe. Section 4mm ²
Power factor:	0.90

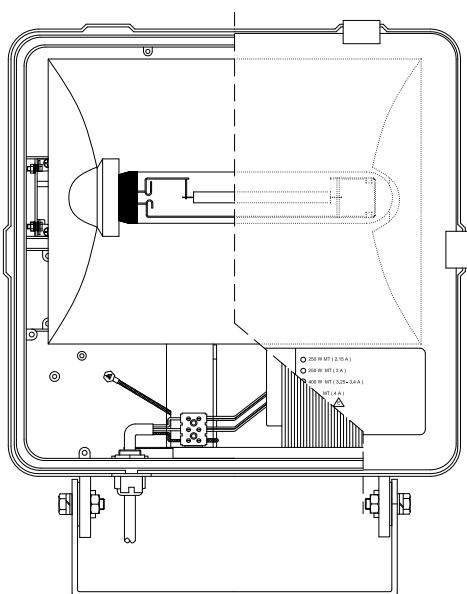
ACCESSORIES AVAILABLE / SPECIAL REQUESTS

Discharge lamp
Rated voltage: 277 V 60 Hz (code TIGER-400HA/**277**)
Rated voltage: 480 V 50 Hz (code TIGER-400HA/**480**)
Rated frequency: 60 Hz at 230 V (code TIGER-400HA/**60**)
Loop in / loop out on request
Other voltages available on request

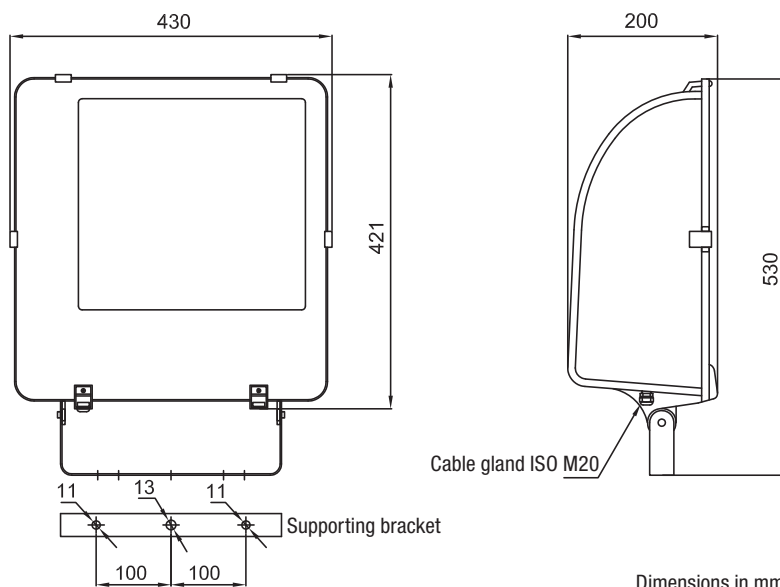
TIGER series selection chart

Code	Lamp type	Reflector	Watt	Class T.a. +55°C	Max surface temperature °C	Weight kg	 mm
TIGER-150NA	high pressure sodium	Symmetrical	150	T3	160	9	480x440x220
TIGER-150NAAS	high pressure sodium	Asymmetrical	150	T3	160	9	480x440x220
TIGER-250NA	high pressure sodium	Symmetrical	250	T3	160	10,2	480x440x220
TIGER-250NAAS	high pressure sodium	Asymmetrical	250	T3	160	10,2	480x440x220
TIGER-400NA	high pressure sodium	Symmetrical	400	T3-T2	189-210	11,5	480x440x220
TIGER-400NAAS	high pressure sodium	Asymmetrical	400	T3-T2	189-210	11,5	480x440x220
TIGER-250HA	metal halide	Symmetrical	250	T2	160	10,2	480x440x220
TIGER-250HAAS	metal halide	Asymmetrical	250	T2	160	10,2	480x440x220
TIGER-400HA	metal halide	Symmetrical	400	T3-T2	189-210	10,2	480x440x220
TIGER-400HAAS	metal halide	Asymmetrical	400	T3-T2	189-210	10,2	480x440x220

INTERNAL VIEW



DIMENSIONAL DRAWING



Dimensions in mm

DON'T FORGET TO ORDER THE ACCESSORIES

Example: Floodlight model
TIGER-250NA +

Lamp
LAMPNAV250W +

other... see key



TIGER series Accessories and spare parts available on request

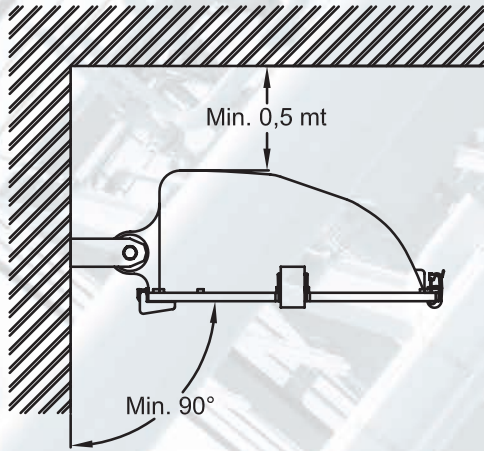
ILLUSTRATION	DESCRIPTION	MODEL	FEATURES	CODE	KEY
	High pressure sodium vapour lamp	E40	150 W (ST150W)	LAMPNAV150WPLU	 
			250 W (ST250W)	LAMPNAV250WPLU	
			400 W (ST400W)	LAMPNAV400WPLU	
	Metal halide lamp	E40	230 W (MT250W)	LAMP230WJMT	 
			360 W (MT400W)	LAMP360WJMT	
	Supporting bracket		Material: galvanised steel	000040877	
	Non-armoured cable gland kit with rubbers, seal and lock nut	ISO M20	Ex e II IP 66/68 (std. cable range 7÷12)	NAV20IXE	
	Front ring with glass and hinges		Material: tempered glass	G-0563	

TIGER series Accessories and spare parts available on request

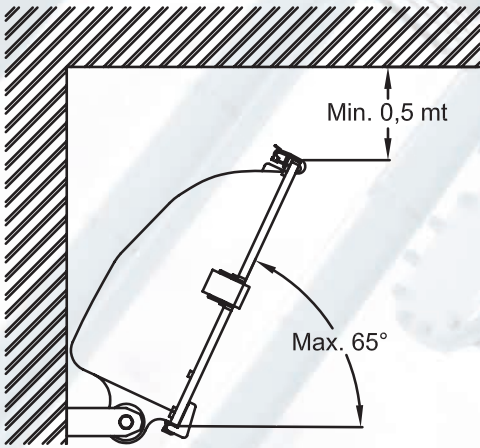
ILLUSTRATION	DESCRIPTION	MODEL	FEATURES	CODE	KEY
	Lamp holder	E40	750W 16A	PORT E-40	
	Sodium vapour and metal halide ballast	150 W	230V 50 Hz	R-150 NA	
		250W		R-250 NA	
		400W		R-400 NA	
	Capacitor for metal halide	250W	20 μ F 250V	F-30	
		400W	40 μ F 250V	F-40	
	Capacitor for sodium vapour	250W	35 μ F 250V	F-35	
		400W	50 μ F 250V	F-50	
	Igniter	150 W 250 W 400 W		R 100	

Installation and mounting methods TIGER series...

At the maximum ambient temperature T.a.+60°C, the temperature class and max surface temp of TIGER-400 model floodlights depends on the installation conditions.



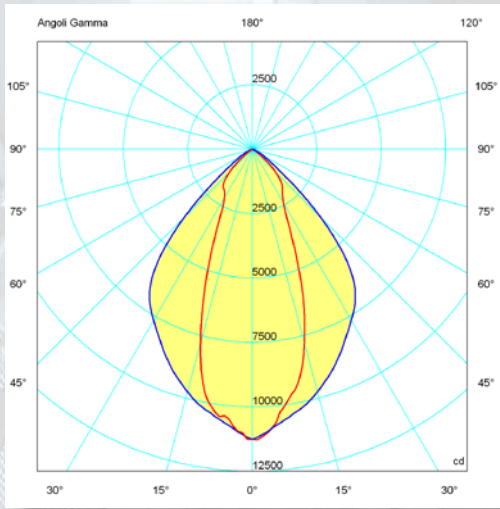
Temperature classes for floodlights installed at 180°		
LAMP	45° C	60°C
150 W	T3	T3
250 W	T3	T3
400 W	T3	T2



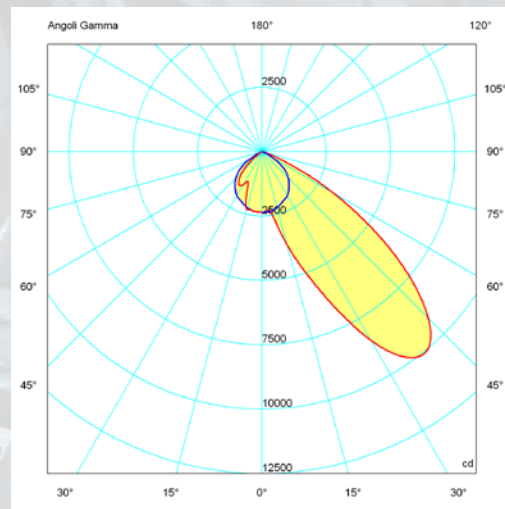
Temperature classes for floodlights installed at other angles		
LAMP	45° C	60°C
150 W	T3	T3
250 W	T3	T3
400 W	T3	T3



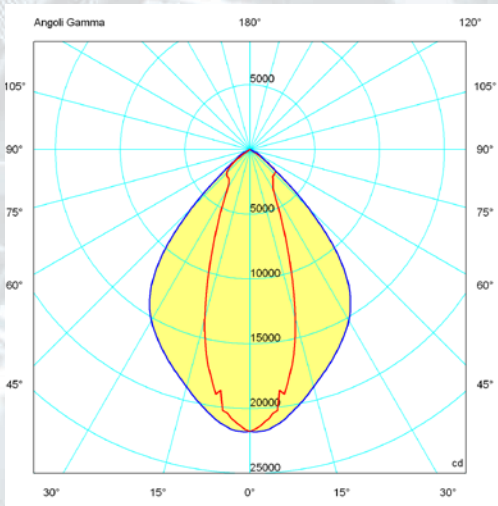
Photometric diagrams



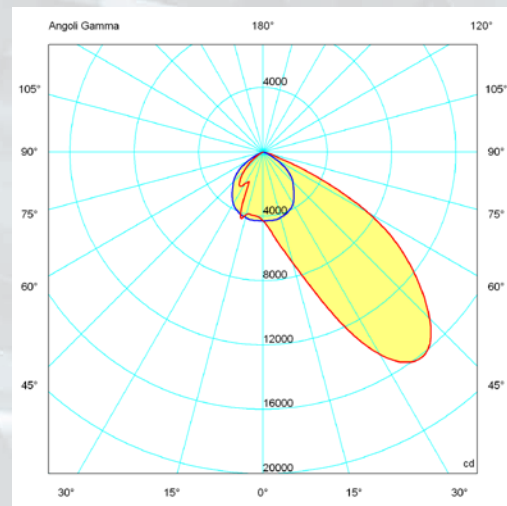
TIGER SYMMETRICAL 150W SODIUM



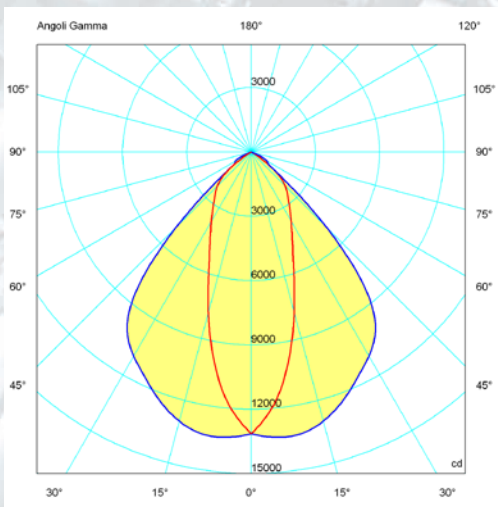
TIGER ASYMMETRICAL 150W SODIUM



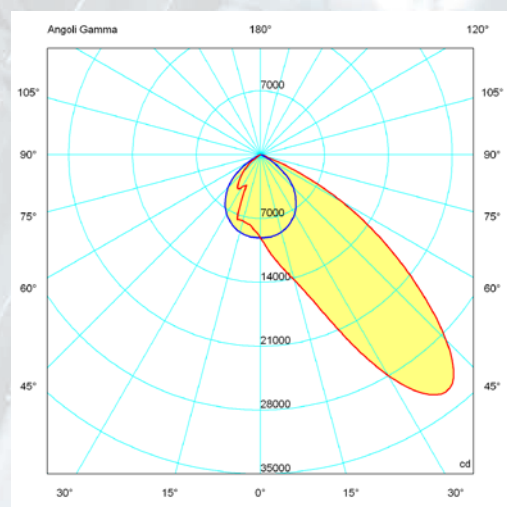
TIGER SYMMETRICAL 250W SODIUM



TIGER ASYMMETRICAL 250W SODIUM



TIGER SYMMETRICAL 400W SODIUM



TIGER ASYMMETRICAL 400W SODIUM

On Cortem Group web site you can download .LDT and .IES lighting data files for the design and simulation of lighting levels in 2D and 3D, rendering and ray tracing.

— = plane 90270
 — = plane C 0180