

**Cable gland series NAVB for non-armoured cables from 3/8" to 4"**

The NAVB series barrier cable glands for non-armoured cable are designed to guarantee the IP66/67 protection and the explosion protection 'Ex db IIC; Ex eb IIC' in applications where installation requirements are needed in accordance with the EN - IEC 60079-14: 2015 standard. The barrier is shaped around the conductors thanks to the particular mixture that flows through them in the special bushing ensuring a complete seal. The liquid resin used prevents the formation of air pockets or voids between the conductors and the bushing (typical problems found with malleable resins). Resin kit available separately.



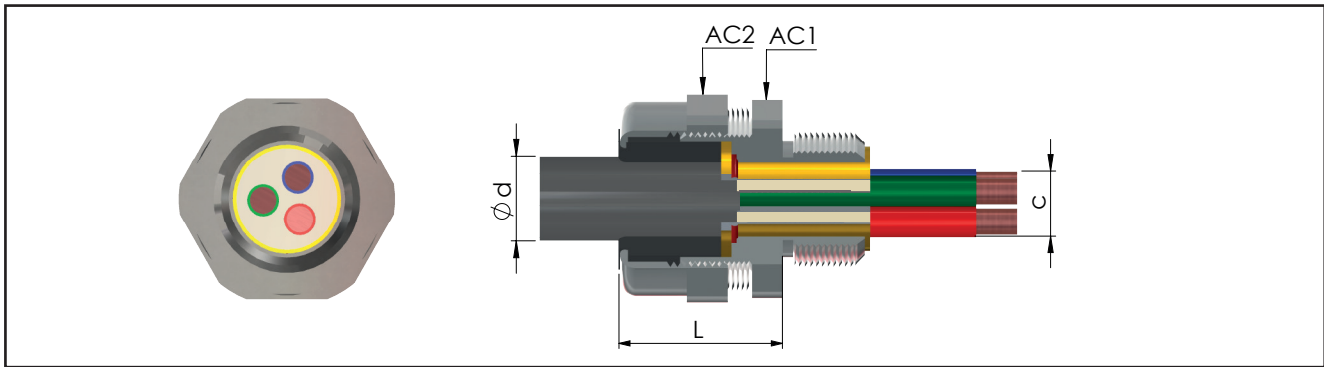
[NAVB assembly instructions video](#)

<b>Classification:</b> 2014/34/EU	<b>Group II</b>	<b>Category 2GD/3G</b>
<b>Installation:</b> EN 60079.14	<b>zone 1 - zone 2 (Gas)</b>	<b>zone 21 - zone 22 (Dust)</b>
<b>Marking:</b>	CE 0722 Ex II 2 GD - Ex db IIC Gb - Ex eb IIC Gb II 2 D - Ex tb IIIC Db II 3G Ex nR IIC Gc	
<b>Certification:</b>	<b>ATEX (category 2):</b>	<b>IMQ 19 ATEX 019X</b>
	<b>ATEX (category 3):</b>	<b>IMQ 19 ATEX 020X</b>
	<b>IEC Ex</b>	<b>IECEX IMQ 19.0003X</b>
	<b>TR CU</b>	<b>DISPONIBILE</b>
<b>Standards:</b>	CENELEC EN 60079-0: 2012+A11:2013, EN 60079-1: 2014, EN 60079-7: 2015, EN 60079-15: 2010, EN 60079-31: 2014 ed alla DIRETTIVA EUROPEA 2014/34/UE IEC60079-0: 2011, IEC60079-1: 2014, IEC60079-7: 2015, IEC60079-15: 2010, IEC60079-31: 2013 Direttiva RoHS 2011/65/UE	
<b>Operating temperature:</b>	<b>-60°C +100°C</b>	
<b>Protection rating:</b>	<b>IP66/67</b>	
<b>Design</b>	<b>BS 6121: Part 1:1989, IEC 62444, EN 62444</b>	

Certificates are available on [www.elfit.com](http://www.elfit.com)

ACCESSORIES UPON REQUEST						
Locknuts  	ISO thread	Nickel-plated brass	Galvanized steel	Stainless steel		
	M16x1,5	<b>DL01IB</b>	<b>DL01IG</b>	<b>DL01IS</b>		
	M20x1,5	<b>DL11IB</b>	<b>DL11IG</b>	<b>DL11IS</b>		
	M25x1,5	<b>DL21IB</b>	<b>DL21IG</b>	<b>DL21IS</b>		
	M32x1,5	<b>DL31IB</b>	<b>DL31IG</b>	<b>DL31IS</b>		
	M40x1,5	<b>DL41IB</b>	<b>DL41IG</b>	<b>DL41IS</b>		
	M50x1,5	<b>DL51IB</b>	<b>DL51IG</b>	<b>DL51IS</b>		
	M63x1,5	<b>DL61IB</b>	<b>DL61IG</b>	<b>DL61IS</b>		
	M75x1,5	<b>DL71IB</b>	<b>DL71IG</b>	<b>DL71IS</b>		
	M90x1,5	<b>DL81IB</b>	<b>DL81IG</b>	<b>DL81IS</b>		
M100x1,5	<b>DL10IB</b>	<b>DL10IG</b>	<b>DL10IS</b>			
M115x1,5	<b>DL115IB</b>	<b>DL115IG</b>	<b>DL115IS</b>			
Nickel-plated brass earthing rings  	ISO thread	Nickel-plated brass	Stainless steel	Serrated stainless steel lock washers	Code	Adapters and reducers of the RE... series
	M16x1,5	<b>A0131IB</b>	<b>A0131IS</b>		<b>RD101S/A4</b>	 GTR7 Heat shrinkable
	M20x1,5	<b>A131IB</b>	<b>A131IS</b>		<b>RD11S/A4</b>	
	M25x1,5	<b>A231IB</b>	<b>A231IS</b>		<b>RD12S/A4</b>	
	M32x1,5	<b>A331IB</b>	<b>A331IS</b>		<b>RD13S/A4</b>	
	M40x1,5	<b>A431IB</b>	<b>A431IS</b>		<b>RD14S/A4</b>	
	M50x1,5	<b>A531IB</b>	<b>A531IS</b>		<b>RD15S/A4</b>	
	M63x1,5	<b>A631IB</b>	<b>A631IS</b>		<b>RD16S/A4</b>	
	M75x1,5	<b>A731IB</b>	<b>A731IS</b>			
	M90x1,5	<b>A831IB</b>	<b>A831IS</b>			
M100x1,5	<b>A1031IB</b>	<b>A1031IS</b>				
M115x1,5	<b>A1031B</b>	<b>A1031S</b>				

\* For different threads, contact the sales department.



**CABLE GLAND SELECTION TABLE**

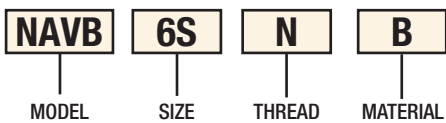
Code Nickel-plated brass	Thread	Code Nickel-plated brass	Thread	Dimensions in mm			Range			Weight Kg	Q.ty of resin ml ***
				AC1	AC2	L	Ød cable max	Øc over cores	n. max cable **		
NAVB01NB	3/8" NPT	NAVB16IB	M16x1,5	24	24	29.5	7.1	5.5	11	0,094	1.3
NAVB1SNB	1/2" NPT	NAVB20SIB	M20x1,5	24	26	30	11.6	10	11	0,093	3.7
NAVB1NB	1/2" NPT	NAVB20IB	M20x1,5	30	32	33	13.2	11	11	0,126	4.2
NAVB2NB	3/4" NPT	NAVB25IB	M25x1,5	36	38	32	18.6	15	21	0,153	8.3
NAVB3NB	1" NPT	NAVB32IB	M32x1,5	45	47	33	25	21	38	0,232	15
NAVB4NB	1 1/4" NPT	NAVB40IB	M40x1,5	50	52	34	31.8	27	59	0,295	24
NAVB5SNB	1 1/2" NPT	NAVB50SIB	M50x1,5	55	57	36	38	33	89	0,374	36
NAVB5NB	2" NPT	NAVB50IB	M50x1,5	62/60*	62	36	42	35	89	0,329	41
NAVB6SNB	2" NPT	NAVB63SIB	M63x1,5	68	77	46.5	50	43	115	0,753	65
NAVB6NB	2 1/2" NPT	NAVB63IB	M63x1,5	75/73*	77	47.5	54	45	115	0,732	70
NAVB7SNB	2 1/2" NPT	NAVB75SIB	M75x1,5	80	82	65/51*	62	53	140	0,714	98
NAVB7NB	3" NPT	NAVB75IB	M75x1,5	90/85*	90	51	65	55	140	0,627	101
NAVB8NB	3" NPT	NAVB90IB	M90x1,5	100	110	53.5	78.1	65	200	1,384	145
NAVB9NB	3 1/2" NPT	NAVB100IB	M100x1,5	115	120	58	86	72	200	1,316	188
NAVB10NB	4" NPT	NAVB115IB	M115x1,5	120	130	57.5	98	85	200	1,937	254

\* Dimensions with threaded: NPT / ISO.

\*\* At least 20% of the internal section of the bushing must be filled with resin.

\*\*\* Maximum quantity of resin calculated with completely empty bushing.

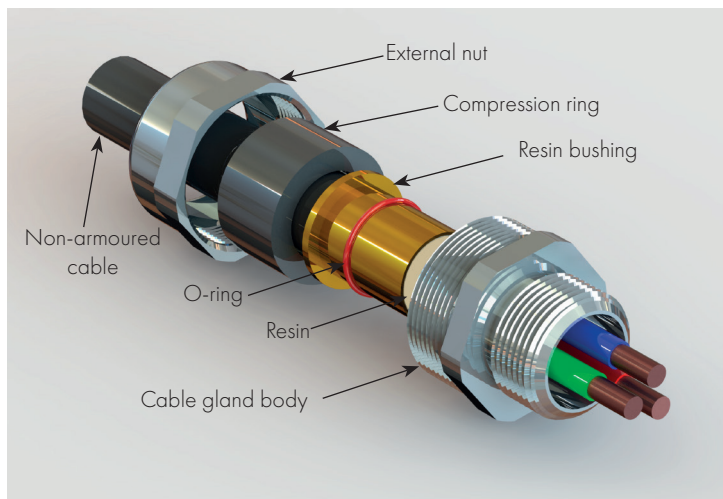
**Sample order code of the cable gland**



Don't forget to order the resin kit with two-component resin (see p. B.21):

- 25 ml resin bag code BOND-B-25
- 100 ml resin bag code BOND-B-100
- 40 ml cartridge + mixing nozzle code BOND-C

(manual dispenser supplied as an option code DISP-C)



**TECHNICAL NOTES:**

- Silicone o-rings are supplied for cylindrical threads (ISO metric) for the pre-assembled IP seal on the cable gland.
- The ISO7/1 thread version is available upon request (sample code NAVB1B).
- Also available in stainless steel AISI 316 (sample code NAVB1S).
- Other materials on request.
- For "Ex i" intrinsic safety version, RAL 5015 blue nut (sample code NAVB1IA).