

Cable gland series NAVB for non-armoured cables from 3/8" to 4"

The NAVB series barrier cable glands for non-armoured cable are designed to guarantee the IP66/67 protection and the explosion protection 'Ex db IIC; Ex eb IIC' in applications where installation requirements are needed in accordance with the EN - IEC 60079-14: 2015 standard. The barrier is shaped around the conductors thanks to the particular mixture that flows through them in the special bushing ensuring a complete seal. The liquid resin used prevents the formation of air pockets or voids between the conductors and the bushing (typical problems found with malleable resins). Resin kit available separately.



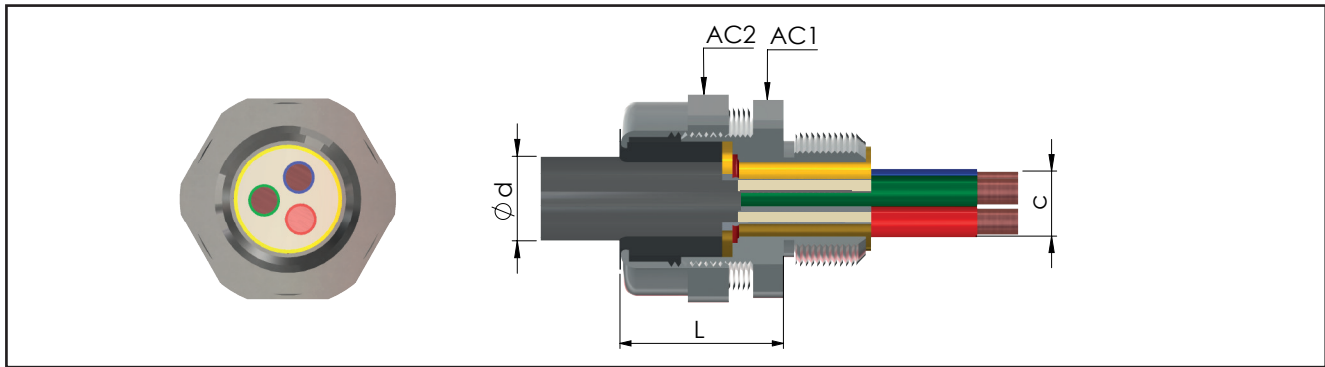
[NAVB assembly instructions video](#)

Classification: 2014/34/EU	Group II	Category 2GD/3G
Installation: EN 60079.14	zone 1 - zone 2 (Gas)	zone 21 - zone 22 (Dust)
Marking:	CE 0722 Ex II 2 GD - Ex db IIC Gb - Ex eb IIC Gb II 2 D - Ex tb IIIC Db II 3G Ex nR IIC Gc	
Certification:	ATEX (category 2):	IMQ 19 ATEX 019X
	ATEX (category 3):	IMQ 19 ATEX 020X
	IEC Ex	IECEx IMQ 19.0003X
	TR CU	DISPONIBILE
Standards:	CENELEC EN 60079-0: 2012+A11:2013, EN 60079-1: 2014, EN 60079-7: 2015, EN 60079-15: 2010, EN 60079-31: 2014 ed alla DIRETTIVA EUROPEA 2014/34/UE IEC60079-0: 2011, IEC60079-1: 2014, IEC60079-7: 2015, IEC60079-15: 2010, IEC60079-31: 2013 Direttiva RoHS 2002/95/CE	
Operating temperature:	-60°C +100°C	
Protection rating:	IP66/67	
Design	BS 6121: Part 1:1989, IEC 62444, EN 62444	

Certificates are available on www.elfit.com

ACCESSORIES UPON REQUEST						
Locknuts 	ISO thread	Nickel-plated brass	Galvanized steel	Stainless steel		
	M16x1,5	DL01IB	DL01IG	DL01IS		
	M20x1,5	DL11IB	DL11IG	DL11IS		
	M25x1,5	DL21IB	DL21IG	DL21IS		
	M32x1,5	DL31IB	DL31IG	DL31IS		
	M40x1,5	DL41IB	DL41IG	DL41IS		
	M50x1,5	DL51IB	DL51IG	DL51IS		
	M63x1,5	DL61IB	DL61IG	DL61IS		
	M75x1,5	DL71IB	DL71IG	DL71IS		
	M90x1,5	DL81IB	DL81IG	DL81IS		
M100x1,5	DL10IB	DL10IG	DL10IS			
M115x1,5	DL115IB	DL115IG	DL115IS			
Nickel-plated brass earthing rings 	ISO thread	Nickel-plated brass	Stainless steel	Serrated stainless steel lock washers	Code	Adapters and reducers of the RE... series
	M16x1,5	A0131IB	A0131IS		RD101S/A4	 GTR7 Heat shrinkable
	M20x1,5	A131IB	A131IS		RD11S/A4	
	M25x1,5	A231IB	A231IS		RD12S/A4	
	M32x1,5	A331IB	A331IS		RD13S/A4	
	M40x1,5	A431IB	A431IS		RD14S/A4	
	M50x1,5	A531IB	A531IS		RD15S/A4	
	M63x1,5	A631IB	A631IS		RD16S/A4	
	M75x1,5	A731IB	A731IS			
	M90x1,5	A831IB	A831IS			
M100x1,5	A1031IB	A1031IS				
M115x1,5	A1031IB	A1031IS				

* For different threads, contact the sales department.



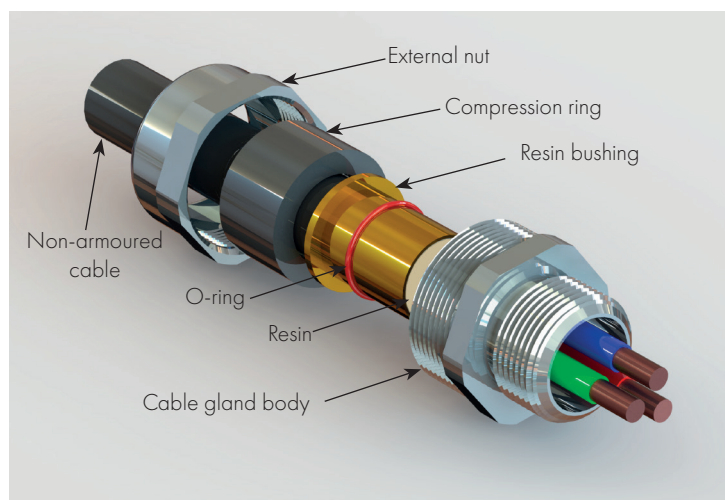
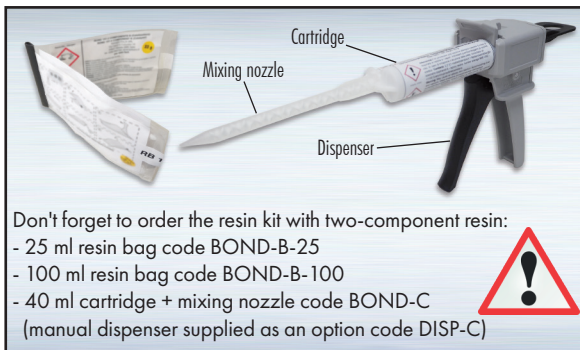
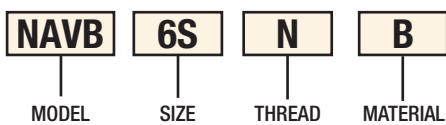
CABLE GLAND SELECTION TABLE												
Code Nickel-plated brass	Thread	Code Nickel-plated brass	Thread	Dimensions in mm			Range			Armour thickness	Weight Kg	Q.ty of resin ml ***
				AC1	AC2	L	Ød cable max	Øc over cores	n. max cable **			
NAVB01NB	3/8" NPT	NAVB16IB	M16x1,5	24	24	29.5	7.1	5.5	11	0.2 - 1.3	0,094	1.3
NAVB1SNB	1/2" NPT	NAVB20SIB	M20x1,5	24	26	30	11.6	10	11	0.2 - 1.3	0,093	3.7
NAVB1NB	1/2" NPT	NAVB20IB	M20x1,5	30	32	33	13.2	11	11	0.2 - 1.4	0,126	4.2
NAVB2NB	3/4" NPT	NAVB25IB	M25x1,5	36	38	32	18.6	15	21	0.2 - 1.6	0,153	8.3
NAVB3NB	1" NPT	NAVB32IB	M32x1,5	45	47	33	25	21	38	0.2 - 2.0	0,232	15
NAVB4NB	1 ¼" NPT	NAVB40IB	M40x1,5	50	52	34	31.8	27	59	0.2 - 2.2	0,295	24
NAVB5SNB	1 ½" NPT	NAVB50SIB	M50x1,5	55	57	36	38	33	89	0.2 - 2.5	0,374	36
NAVB5NB	2" NPT	NAVB50IB	M50x1,5	62/60*	62	36	42	35	89	0.2 - 2.5	0,329	41
NAVB6SNB	2" NPT	NAVB63SIB	M63x1,5	68	77	46.5	50	43	115	0.2 - 2.5	0,753	65
NAVB6NB	2 ½" NPT	NAVB63IB	M63x1,5	75/73*	77	47.5	54	45	115	0.2 - 2.5	0,732	70
NAVB7SNB	2 ½" NPT	NAVB75SIB	M75x1,5	80	82	65/51*	62	53	140	0.2 - 2.8	0,714	98
NAVB7NB	3" NPT	NAVB75IB	M75x1,5	90/85*	90	51	65	55	140	0.2 - 2.8	0,627	101
NAVB8NB	3" NPT	NAVB90IB	M90x1,5	100	110	53.5	78.1	65	200	0.2 - 2.8	1,384	145
NAVB9NB	3 ½" NPT	NAVB100IB	M100x1,5	115	120	58	86	72	200	0.2 - 3.3	1,316	188
NAVB10NB	4" NPT	NAVB115IB	M115x1,5	120	130	57.5	98	85	200	0.2 - 3.5	1,937	254

* Dimensions with threaded: NPT / ISO.

** At least 20% of the internal section of the bushing must be filled with resin.

*** Maximum quantity of resin calculated with completely empty bushing.

Sample order code of the cable gland



TECHNICAL NOTES:

- Silicone o-rings are supplied for cylindrical threads (ISO metric) for the pre-assembled IP seal on the cable gland.
- The ISO7/1 thread version is available upon request (sample code NAVB1B).
- Also available in stainless steel AISI 316 (sample code NAVB1S).
- Other materials on request.
- For "Ex i" intrinsic safety version, RAL 5015 blue nut (sample code NAVB1IA).