

# ETH

- Zones 1, 2, 21, 22
- Max. 110 dB
- Continuous operation
- Ex d protection

*Safety wire connecting  
body and cover*



*Support bracket  
mounting*



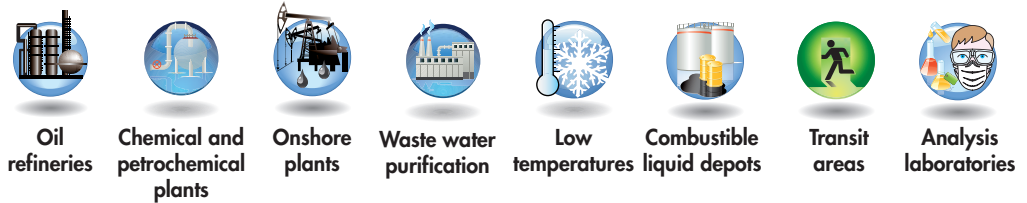
*Connection entry*



# ETH series acoustic signals

ETH series sirens are used in closed environments where a warning system is needed and where the atmosphere is potentially explosive. ETH sirens are multi-functional. The five different types of sound can be programmed to provide warning in the event of danger or evacuation in the case of fire.

## Application sectors:



## CERTIFICATION DATA

<b>Classification:</b>	Group II	Category 2GD		
<b>Installation:</b> EN 60079.14	zone 1 - zone 2 (Gas)	zone 21 - zone 22 (Dust)	ETH12	
	zone 1 - zone 2 (Gas)		ETH20	
<b>Marking:</b>	CE  II 2 GD Ex d IIC T6 Ex tD A21 IP65		ETH12	
	CE  II 2 G Ex d IIC - IIB+H2 T4 Gb IP6x		ETH20	
<b>Certification:</b>	ATEX INERIS 02 ATEX 0074X		ETH12	
	ATEX ISSeP 11 ATEX 040X		ETH20	
<b>Standards:</b>	CENELEC EN 60079-0: 2006/09, EN 60079-1: 2004/07, EN 61241-0: 2006, EN 61241-1: 2004, EN 60079-31: 2009 and EUROPEAN DIRECTIVE 2014/34/UE			
<b>Class temperature:</b>	85°C (T6)	135°C (T4)	200°C (T3)	
<b>Ambient temperature:</b>	-20°C  +55°C	ETH12		
	-50°C  +60°C	ETH20		

## ETH series acoustic signals



### MECHANICAL FEATURES

<b>Body and cover:</b>	Low copper content aluminium alloy
<b>Safety wire:</b>	Steel
<b>Bell housing:</b>	Chrome coloured ABS plastic
<b>Gasket:</b>	Acid, hydrocarbon and high temperature resistant silicone
<b>Bolts and screws:</b>	Stainless steel
<b>Mounting:</b>	Direct to 3/4" entry or with mounting bracket (available on request)
<b>Entries:</b>	1 x 3/4" Rc UNI ISO 7/1
<b>Coating:</b>	Epoxy coating Ral 7000 (squirrel grey)

### ELECTRICAL FEATURES

#### ETH-12 siren

<b>Rated voltage:</b>	12/24 - 48 - 110 - 230 V ac/dc
Frequency:	50/60/0 Hz
Driver impedance:	8 $\Omega$
Operation:	Continuous

#### ETH-20 siren

<b>Rated voltage:</b>	12/24 - 48 - 110 - 230 V ac/dc
Frequency:	50/60/0 Hz
Driver impedance:	16 $\Omega$
Operation:	Continuous

### ACCESSORIES AVAILABLE / SPECIAL REQUESTS

Cable gland: FGAB2BK for armoured cable or FB2BK for non-armoured cable  
Adjustable support bracket  
Epoxy vinyl coating in different colours  
NPT or ISO M25 threads  
Body in cast iron EN-GJL-200 or stainless steel AISI 316L

# ETH series selection chart

Code	Programmable sounds	Voltage	Rated current	Power input	Sound level		Weight kg	mm
					Frequency	Db/1m		
ETH-12MD/12-24V	32	12 - 24 V ac/dc	0,10 - 0,12 A	7 W	340 - 2000 Hz	109	1,2	230x150x150
ETH-12MD/48VCA	32	48 V ac	0,06 A	7 W	340 - 2000 Hz	107	1,4	230x150x150
ETH-12MD/48VCC	32	48 V dc	0,06 A	7 W	340 - 2000 Hz	107	1,2	230x150x150
ETH-12MD/110VCA	32	110 V ac	0,02 A	7 W	340 - 2000 Hz	109	1,4	230x150x150
ETH-12MD/110VCC	32	110 V dc	0,02 A	7 W	340 - 2000 Hz	109	1,4	230x150x150
ETH-12MD/230VCA	32	230 V ac	0,012 A	7 W	340 - 2000 Hz	109	1,4	230x150x150
ETH-20MD/12-24V	32	12 - 24 V ac/dc	0,10 - 0,12 A	10 W	340 - 2000 Hz	113	3,1	390x280x280
ETH-20MD/48VCA	32	48 V ac	0,06 A	10 W	340 - 2000 Hz	111	3,2	390x280x280
ETH-20MD/48VCC	32	48 V dc	0,06 A	10 W	340 - 2000 Hz	111	3,1	390x280x280
ETH-20MD/110VCA	32	110 V ac	0,02 A	10 W	340 - 2000 Hz	113	3,2	390x280x280
ETH-20MD/110VCC	32	110 V dc	0,02 A	10 W	340 - 2000 Hz	113	3,2	390x280x280
ETH-20MD/230VCA	32	230 V ac	0,012 A	10 W	340 - 2000 Hz	113	3,2	390x280x280

### Main sounds

(32 selectable sounds, view safety maintenance and mounting instructions)

**TWIN TONE:** 440 Hz / 0.4 sec alternated with 554 Hz / 0.1 sec

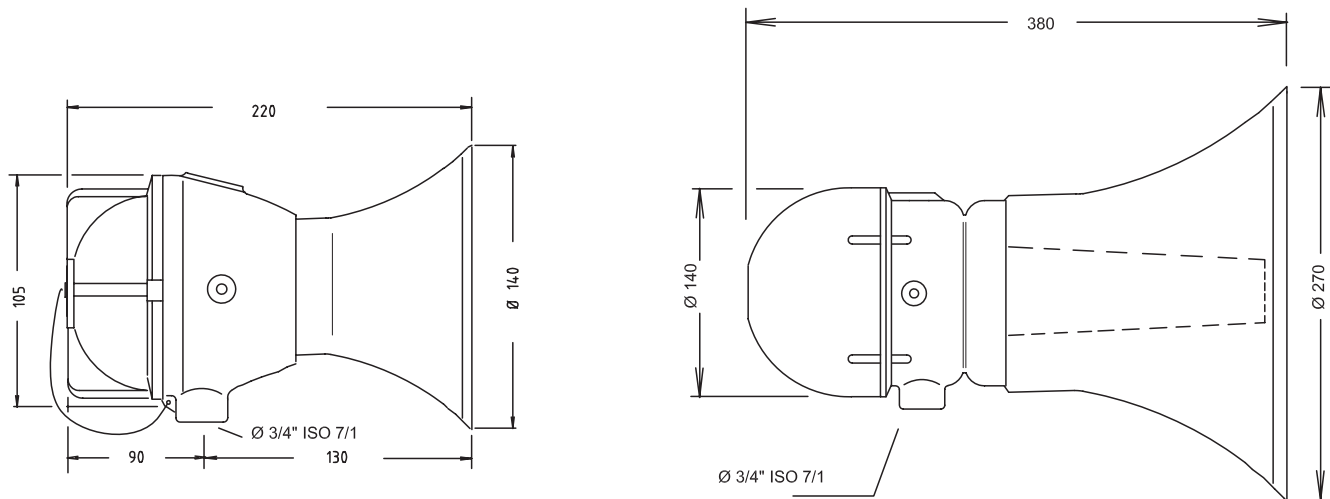
**YELP:** Increasing and decreasing scale. Fast from 650 to 1600 Hz

**WAIL:** Increasing and decreasing scale. Slow from 650 to 1600 Hz

**INTERMITTENT:** 554 Hz, 1 sec ON - 1 sec OFF

**FIXED NOTE:** 554 Hz continuous.

### DIMENSIONAL DRAWINGS



Dimensions in mm

ILLUSTRATION	DESCRIPTION	MODEL	FEATURES	CODE	KEY
	Adjustable support bracket	ETH-12	Material: galvanised steel	K-340	
		ETH-20		K-340/1	
	Cable gland		For cable gland models and codes see <a href="http://www.cortemgroup.com">www.cortemgroup.com</a>	NAVB2B NEVB2B	