

**Cable gland series NAVBF for non-armoured cables from 3/8" to 4"**

The NAVBF series barrier cable glands for non-armoured cable, with a female threaded outlet fitting, are designed to guarantee the IP66/67 protection and the explosion protection 'Ex db IIC; Ex eb IIC 'in applications where installation requirements are needed in accordance with the EN - IEC 60079-14: 2015 standard. The barrier is shaped around the conductors thanks to the particular mixture that flows through them in the special bushing ensuring a complete seal. The liquid resin used prevents the formation of air pockets or voids between the conductors and the bushing (typical problems found with malleable resins). Resin kit available separately.



[NAVBF assembly instructions video](#)

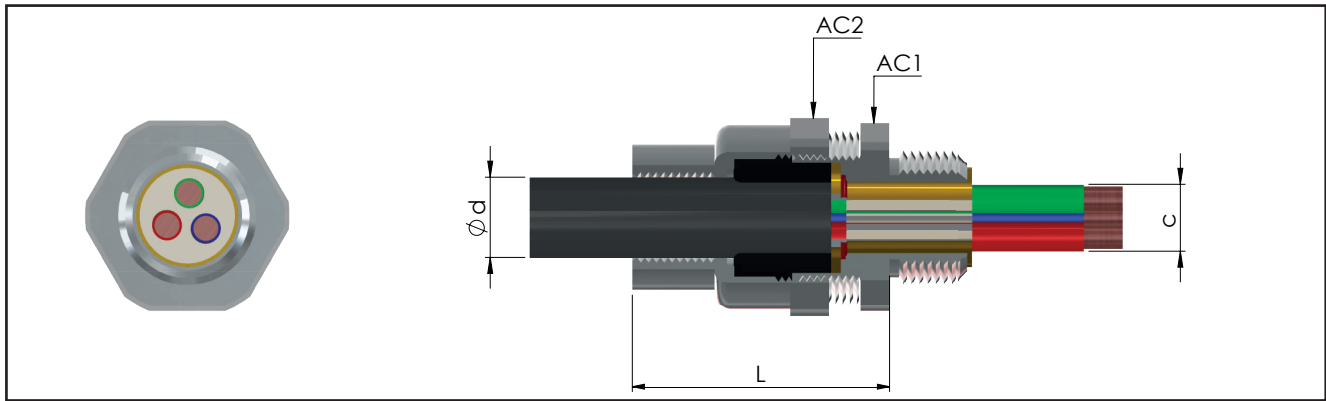
<b>Classification:</b> 2014/34/EU	<b>Group II</b>	<b>Category 2GD/3G</b>
<b>Installation:</b> EN 60079.14	<b>zone 1 - zone 2 (Gas)</b>	<b>zone 21 - zone 22 (Dust)</b>
<b>Marking:</b>	CE 0722 Ex II 2 GD - Ex db IIC Gb - Ex eb IIC Gb II 2 D - Ex tb IIIC Db II 3G Ex nR IIC Gc	
<b>Certification:</b>	<b>ATEX (category 2):</b>	<b>IMQ 19 ATEX 019X</b>
	<b>ATEX (category 3):</b>	<b>IMQ 19 ATEX 020X</b>
	<b>IEC Ex</b>	<b>IECEX IMQ 19.0003X</b>
	<b>TR CU</b>	<b>DISPONIBLE</b>
<b>Standards:</b>	CENELEC EN 60079-0: 2012+A11:2013, EN 60079-1: 2014, EN 60079-7: 2015, EN 60079-15: 2010, EN 60079-31: 2014 and EUROPEAN DIRECTIVE 2014/34/UE IEC60079-0: 2011, IEC60079-1: 2014, IEC60079-7: 2015, IEC60079-15: 2010, IEC60079-31: 2013 RoHS Directive 2002/95/CE	
<b>Operating temperature:</b>	<b>-60°C +100°C</b>	
<b>Protection rating:</b>	<b>IP66/67</b>	
<b>Design</b>	<b>BS 6121: Part 1:1989, IEC 62444, EN 62444</b>	

Certificates are available on [www.elfit.com](http://www.elfit.com)

**ACCESSORIES UPON REQUEST**

Locknuts	ISO thread	Nickel-plated brass	Galvanized steel	Stainless steel	Black TPV protector	Cableglands	Code	
	M16x1,5	<b>DL01IB</b>	<b>DL01IG</b>	<b>DL01IS</b>		NAVBF01NB	NAVBF16IB	<b>PGA1F</b>
	M20x1,5	<b>DL11IB</b>	<b>DL11IG</b>	<b>DL11IS</b>		NAVBF1SNB	NAVBF20SIB	<b>PGA1N</b>
	M25x1,5	<b>DL21IB</b>	<b>DL21IG</b>	<b>DL21IS</b>		NAVBF1NB	NAVBF20IB	<b>PGA1</b>
	M32x1,5	<b>DL31IB</b>	<b>DL31IG</b>	<b>DL31IS</b>		NAVBF2NB	NAVBF25IB	<b>PGA2N</b>
	M40x1,5	<b>DL41IB</b>	<b>DL41IG</b>	<b>DL41IS</b>		NAVBF3NB	NAVBF32IB	<b>PGA4</b>
	M50x1,5	<b>DL51IB</b>	<b>DL51IG</b>	<b>DL51IS</b>		NAVBF4NB	NAVBF40IB	<b>PGA4</b>
	M63x1,5	<b>DL61IB</b>	<b>DL61IG</b>	<b>DL61IS</b>		NAVBF5SNB	NAVBF50SIB	<b>PGA5</b>
	M75x1,5	<b>DL71IB</b>	<b>DL71IG</b>	<b>DL71IS</b>		NAVBF5NB	NAVBF50IB	<b>PGA5N</b>
	M90x1,5	<b>DL81IB</b>	<b>DL81IG</b>	<b>DL81IS</b>		NAVBF6SNB	NAVBF63SIB	<b>PGA6</b>
	M100x1,5	<b>DL101IB</b>	<b>DL101IG</b>	<b>DL101IS</b>		NAVBF6NB	NAVBF63IB	<b>PGA6</b>
M115x1,5	<b>DL115IB</b>	<b>DL115IG</b>	<b>DL115IS</b>	NAVBF7SNB	NAVBF75SIB	<b>PGA7</b>		
Nickel-plated brass earthing rings	ISO thread	Nickel-plated brass	Stainless steel	Serrated stainless steel lock washers	Code	Adapters and reducers of the RE... series		
	M16x1,5	<b>A0131IB</b>	<b>A0131IS</b>		<b>RD101S/A4</b>		<b>GTR7</b> Heat shrinkable	
	M20x1,5	<b>A131IB</b>	<b>A131IS</b>		<b>RD11S/A4</b>			
	M25x1,5	<b>A231IB</b>	<b>A231IS</b>		<b>RD12S/A4</b>			
	M32x1,5	<b>A331IB</b>	<b>A331IS</b>		<b>RD13S/A4</b>			
	M40x1,5	<b>A431IB</b>	<b>A431IS</b>		<b>RD14S/A4</b>			
	M50x1,5	<b>A531IB</b>	<b>A531IS</b>		<b>RD15S/A4</b>			
	M63x1,5	<b>A631IB</b>	<b>A631IS</b>		<b>RD16S/A4</b>			
	M75x1,5	<b>A731IB</b>	<b>A731IS</b>					
	M90x1,5	<b>A831IB</b>	<b>A831IS</b>					
M100x1,5	<b>A1031IB</b>	<b>A1031IS</b>						
M115x1,5	<b>A1031B</b>	<b>A1031S</b>						

\* For different threads, contact the sales department.



**CABLE GLAND SELECTION TABLE**

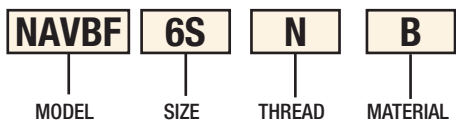
Code Nickel-plated brass	Thread	Code Nickel-plated brass	Thread	Dimensions in mm			Range			Weight Kg	Q.ty of resin ml ***
				AC1	AC2	L	Ød cable max	Øc over cores	n. max cable **		
NAVBF01NB	3/8" NPT	NAVBF16IB	M16x1,5	24	24	48.5	8.6	5.5	11	0,117	1.3
NAVBF1SNB	1/2" NPT	NAVBF20SIB	M20x1,5	24	26	49	11.6	10	11	0,130	3.7
NAVBF1NB	1/2" NPT	NAVBF20IB	M20x1,5	30	32	52.5	14	11	11	0,170	4.2
NAVBF2NB	3/4" NPT	NAVBF25IB	M25x1,5	36	38	51.5	20	15	21	0,233	8.3
NAVBF3NB	1" NPT	NAVBF32IB	M32x1,5	45	47	52.5	27	21	38	0,303	15
NAVBF4NB	1 1/4" NPT	NAVBF40IB	M40x1,5	50	52	53.5	32	27	59	0,401	24
NAVBF5SNB	1 1/2" NPT	NAVBF50SIB	M50x1,5	55	57	56.5	38	33	89	0,530	36
NAVBF5NB	2" NPT	NAVBF50IB	M50x1,5	62/60*	62	56.5	44	35	89	0,470	41
NAVBF6SNB	2" NPT	NAVBF63SIB	M63x1,5	68	77	69	50	43	115	1,079	65
NAVBF6NB	2 1/2" NPT	NAVBF63IB	M63x1,5	75/73*	77	70	56	45	115	0,815	70
NAVBF7SNB	2 1/2" NPT	NAVBF75SIB	M75x1,5	80	82	73.5	62	53	140	0,918	98
NAVBF7NB	3" NPT	NAVBF75IB	M75x1,5	90/85*	90	73.5	68	55	140	1,027	101
NAVBF8NB	3" NPT	NAVBF90IB	M90x1,5	100	110	82	79	65	200	2,071	145
NAVBF9NB	3 1/2" NPT	NAVBF100IB	M100x1,5	115	120	88	91	72	200	2,192	188
NAVBF10NB	4" NPT	NAVBF115IB	M115x1,5	120	130	87.5	98	85	200	2,565	254

\* Dimensions with threaded: NPT / ISO.

\*\* At least 20% of the internal section of the bushing must be filled with resin.

\*\*\* Maximum quantity of resin calculated with completely empty bushing.

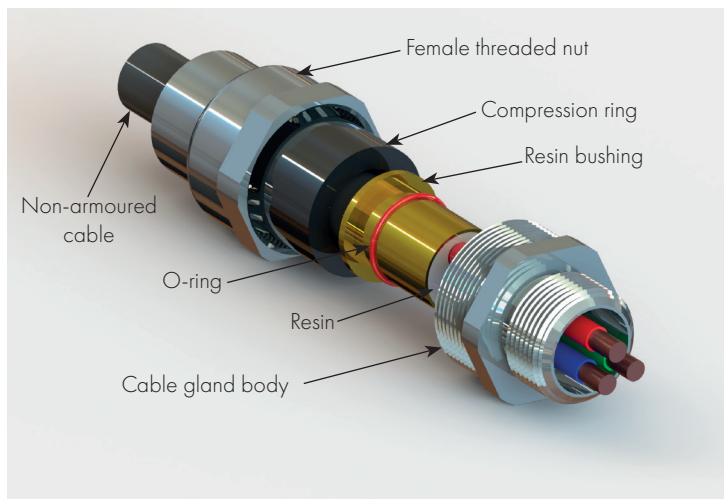
**Sample order code of the cable gland**



Don't forget to order the resin kit with two-component resin (see p. B.21):

- 25 ml resin bag code BOND-B-25
- 100 ml resin bag code BOND-B-100
- 40 ml cartridge + mixing nozzle code BOND-C

(manual dispenser supplied as an option code DISP-C)



**TECHNICAL NOTES:**

- Silicone o-rings are supplied for cylindrical threads (ISO metric) for the pre-assembled IP seal on the cable gland.
- The ISO7/1 thread version is available upon request (sample code NAVBF1B).
- Also available in stainless steel AISI 316 (sample code NAVBF1S).
- Other materials on request.
- For "Ex i" intrinsic safety version, RAL 5015 blue nut (sample code NAVBF1IA).