

**Cable gland series NAVBN for non-armoured cables from 3/8" to 4"**

The NAVBN series barrier cable glands for non-armoured cable, with a male threaded outlet fitting, are designed to guarantee the IP66/67 protection and the explosion protection 'Ex db IIC; Ex eb IIC' in applications where installation requirements are needed in accordance with the EN - IEC 60079-14: 2015 standard. The barrier is shaped around the conductors thanks to the particular mixture that flows through them in the special bushing ensuring a complete seal. The liquid resin used prevents the formation of air pockets or voids between the conductors and the bushing (typical problems found with malleable resins). Resin kit available separately.



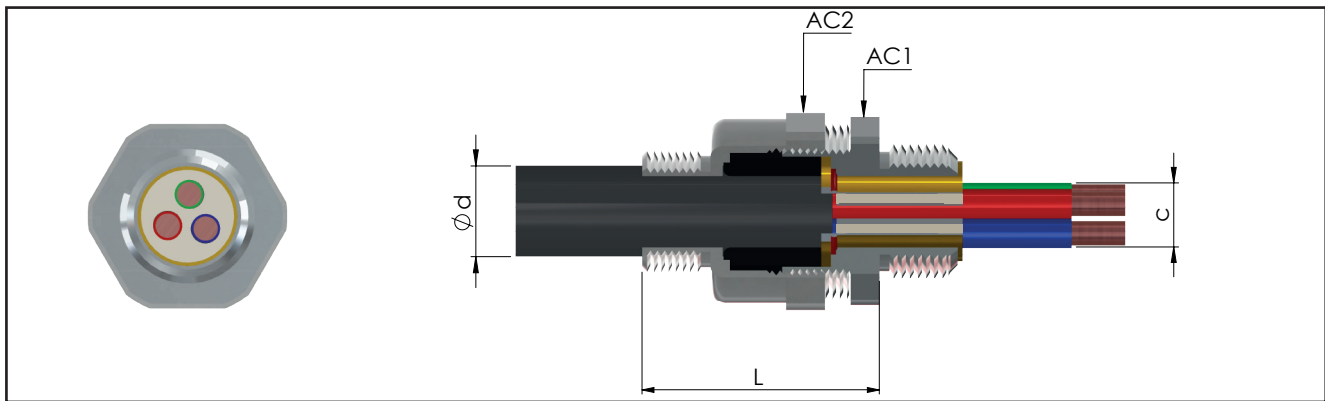
[NAVBN assembly instructions video](#)

|                                      |   |                                 |
|--------------------------------------|---|---------------------------------|
| <b>Classification:</b><br>2014/34/EU | <b>Group II</b>   | <b>Category 2GD/3G</b>          |
| <b>Installation:</b><br>EN 60079.14  | <b>zone 1 - zone 2 (Gas)</b>  | <b>zone 21 - zone 22 (Dust)</b> |
| <b>Marking:</b>                      | CE 0722 Ex II 2 GD - Ex db IIC Gb - Ex eb IIC Gb<br>II 2 D - Ex tb IIIC Db<br>II 3G Ex nR IIC Gc  |                                 |
| <b>Certification:</b>                | <b>ATEX (category 2):</b>   | <b>IMQ 19 ATEX 019X</b>         |
|                                      | <b>ATEX (category 3):</b>   | <b>IMQ 19 ATEX 020X</b>         |
|                                      | <b>IEC Ex</b>   | <b>IECEx IMQ 19.0003X</b>       |
|                                      | <b>TR CU</b>  | <b>DISPONIBILE</b>              |
| <b>Standards:</b>                    | CENELEC EN 60079-0: 2012+A11:2013, EN 60079-1: 2016, EN 60079-7: 2015, EN 60079-15: 2012, EN 60079-31: 2015 ed alla DIRETTIVA EUROPEA 2014/34/UE<br>IEC60079-0: 2011, IEC60079-1: 2014, IEC60079-7: 2015, IEC60079-15: 2015, IEC60079-31: 2013<br>Direttiva RoHS 2002/95/CE |                                 |
| <b>Operating temperature:</b>        | <b>-60°C +100°C</b>   |                                 |
| <b>Protection rating:</b>            | <b>IP66/67</b>  |                                 |
| <b>Design</b>                        | <b>BS 6121: Part 1:1989, IEC 62444, EN 62444</b>  |                                 |

Certificates are available on [www.elfit.com](http://www.elfit.com)

| ACCESSORIES UPON REQUEST                   |                |                     |                  |                                       |                     |   |              |
|--|----------------|---------------------|------------------|---------------------------------------|---------------------|---|--------------|
| Locknuts<br><br>                           | ISO thread     | Nickel-plated brass | Galvanized steel | Stainless steel                       | Black TPV protector | Cableglands                               | Code         |
|  | M16x1,5        | <b>DL01IB</b>       | <b>DL01IG</b>    | <b>DL01IS</b>                         |                     | NAVBN01NB NAVBN16IB                       | <b>PGA1F</b> |
|  | M20x1,5        | <b>DL11IB</b>       | <b>DL11IG</b>    | <b>DL11IS</b>                         |                     | NAVBN1SNB NAVBN20SIB                      | <b>PGA1N</b> |
|  | M25x1,5        | <b>DL21IB</b>       | <b>DL21IG</b>    | <b>DL21IS</b>                         |                     | NAVBN1NB NAVBN20IB                        | <b>PGA1</b>  |
|  | M32x1,5        | <b>DL31IB</b>       | <b>DL31IG</b>    | <b>DL31IS</b>                         |                     | NAVBN2NB NAVBN25IB                        | <b>PGA2N</b> |
|  | M40x1,5        | <b>DL41IB</b>       | <b>DL41IG</b>    | <b>DL41IS</b>                         |                     | NAVBN3NB NAVBN32IB                        | <b>PGA4</b>  |
|  | M50x1,5        | <b>DL51IB</b>       | <b>DL51IG</b>    | <b>DL51IS</b>                         |                     | NAVBN4NB NAVBN40IB                        | <b>PGA4</b>  |
|  | M63x1,5        | <b>DL61IB</b>       | <b>DL61IG</b>    | <b>DL61IS</b>                         |                     | NAVBN5SNB NAVBN50SIB                      | <b>PGA5</b>  |
|  | M75x1,5        | <b>DL71IB</b>       | <b>DL71IG</b>    | <b>DL71IS</b>                         |                     | NAVBN5NB NAVBN50IB                        | <b>PGA5N</b> |
|  | M90x1,5        | <b>DL81IB</b>       | <b>DL81IG</b>    | <b>DL81IS</b>                         |                     | NAVBN6SNB NAVBN63SIB                      | <b>PGA6</b>  |
| M100x1,5                                   | <b>DL10IB</b>  | <b>DL10IG</b>       | <b>DL10IS</b>    | NAVBN6NB NAVBN63IB                    |                     | <b>PGA6</b>                               |              |
| M115x1,5                                   | <b>DL115IB</b> | <b>DL115IG</b>      | <b>DL115IS</b>   | NAVBN7SNB NAVBN75SIB                  | <b>PGA7</b>         |   |              |
| Nickel-plated brass earthing rings<br><br> | ISO thread     | Nickel-plated brass | Stainless steel  | Serrated stainless steel lock washers | Code                | Adapters and reducers of the RE... series |              |
|  | M16x1,5        | <b>A0131IB</b>      | <b>A0131IS</b>   |                                       | <b>RD101S/A4</b>    |   |              |
|  | M20x1,5        | <b>A131IB</b>       | <b>A131IS</b>    |                                       | <b>RD11S/A4</b>     |   |              |
|  | M25x1,5        | <b>A231IB</b>       | <b>A231IS</b>    |                                       | <b>RD12S/A4</b>     |   |              |
|  | M32x1,5        | <b>A331IB</b>       | <b>A331IS</b>    |                                       | <b>RD13S/A4</b>     |   |              |
|  | M40x1,5        | <b>A431IB</b>       | <b>A431IS</b>    |                                       | <b>RD14S/A4</b>     |   |              |
|  | M50x1,5        | <b>A531IB</b>       | <b>A531IS</b>    |                                       | <b>RD15S/A4</b>     |   |              |
|  | M63x1,5        | <b>A631IB</b>       | <b>A631IS</b>    |                                       | <b>RD16S/A4</b>     |   |              |
|  | M75x1,5        | <b>A731IB</b>       | <b>A731IS</b>    |                                       |                     |   |              |
|  | M90x1,5        | <b>A831IB</b>       | <b>A831IS</b>    |                                       |                     |   |              |
| M100x1,5                                   | <b>A1031IB</b> | <b>A1031IS</b>      |                  |                                       |                     |   |              |
| M115x1,5                                   | <b>A1031IB</b> | <b>A1031IS</b>      |                  |                                       |                     |   |              |
|  |                |                     |                  |                                       |                     | GTR7<br>Heat shrinkable                   |              |

\* For different threads, contact the sales department.



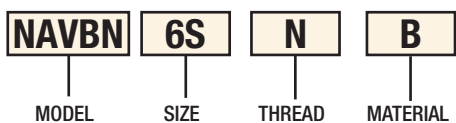
| CABLE GLAND SELECTION TABLE    |            |                                |          |                  |     |      |                 |                  |                    |              |                         |  |
|--------------------------------|------------|--------------------------------|----------|------------------|-----|------|-----------------|------------------|--------------------|--------------|-------------------------|--|
| Code<br>Nickel-plated<br>brass | Thread     | Code<br>Nickel-plated<br>brass | Thread   | Dimensions in mm |     |      | Range           |                  |                    | Weight<br>Kg | Q.ty of resin<br>ml *** |  |
|                                |            |                                |          | AC1              | AC2 | L    | Ød<br>cable max | Øc<br>over cores | n. max<br>cable ** |              |                         |  |
| NAVBN01NB                      | 3/8" NPT   | NAVBN16IB                      | M16x1,5  | 24               | 24  | 47.5 | 8.6             | 5.5              | 11                 | 0,115        | 1.3                     |  |
| NAVBN1SNB                      | 1/2" NPT   | NAVBN20SIB                     | M20x1,5  | 24               | 26  | 48   | 11.6            | 10               | 11                 | 0,134        | 3.7                     |  |
| NAVBN1NB                       | 1/2" NPT   | NAVBN20IB                      | M20x1,5  | 30               | 32  | 51.5 | 14              | 11               | 11                 | 0,165        | 4.2                     |  |
| NAVBN2NB                       | 3/4" NPT   | NAVBN25IB                      | M25x1,5  | 36               | 38  | 50.5 | 20              | 15               | 21                 | 0,211        | 8.3                     |  |
| NAVBN3NB                       | 1" NPT     | NAVBN32IB                      | M32x1,5  | 45               | 47  | 51.5 | 27              | 21               | 38                 | 0,290        | 15                      |  |
| NAVBN4NB                       | 1 1/4" NPT | NAVBN40IB                      | M40x1,5  | 50               | 52  | 52.5 | 32              | 27               | 59                 | 0,396        | 24                      |  |
| NAVBN5SNB                      | 1 1/2" NPT | NAVBN50SIB                     | M50x1,5  | 55               | 57  | 54.5 | 38              | 33               | 89                 | 0,534        | 36                      |  |
| NAVBN5NB                       | 2" NPT     | NAVBN50IB                      | M50x1,5  | 62/60*           | 62  | 54.5 | 44              | 35               | 89                 | 0,431        | 41                      |  |
| NAVBN6SNB                      | 2" NPT     | NAVBN63SIB                     | M63x1,5  | 68               | 77  | 67   | 50              | 43               | 115                | 1,137        | 65                      |  |
| NAVBN6NB                       | 2 1/2" NPT | NAVBN63IB                      | M63x1,5  | 75/73*           | 77  | 68   | 56              | 45               | 115                | 0,786        | 70                      |  |
| NAVBN7SNB                      | 2 1/2" NPT | NAVBN75SIB                     | M75x1,5  | 80               | 82  | 71.5 | 62              | 53               | 140                | 1,082        | 98                      |  |
| NAVBN7NB                       | 3" NPT     | NAVBN75IB                      | M75x1,5  | 90/85*           | 90  | 71.5 | 68              | 55               | 140                | 1,042        | 101                     |  |
| NAVBN8NB                       | 3" NPT     | NAVBN90IB                      | M90x1,5  | 100              | 110 | 80   | 79              | 65               | 200                | 1,984        | 145                     |  |
| NAVBN9NB                       | 3 1/2" NPT | NAVBN100IB                     | M100x1,5 | 115              | 120 | 86   | 91              | 72               | 200                | 2,043        | 188                     |  |
| NAVBN10NB                      | 4" NPT     | NAVBN115IB                     | M115x1,5 | 120              | 130 | 85.5 | 98              | 85               | 200                | 3,056        | 254                     |  |

\* Dimensions with threaded: NPT / ISO.

\*\* At least 20% of the internal section of the bushing must be filled with resin.

\*\*\* Maximum quantity of resin calculated with completely empty bushing.

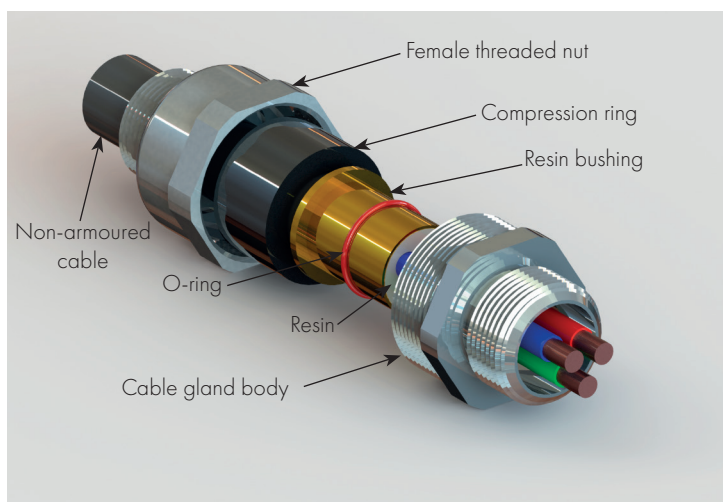
### Sample order code of the cable gland



Don't forget to order the resin kit with two-component resin:

- 25 ml resin bag code BOND-B-25
- 100 ml resin bag code BOND-B-100
- 40 ml cartridge + mixing nozzle code BOND-C

(manual dispenser supplied as an option code DISP-C)



### TECHNICAL NOTES:

- Silicone o-rings are supplied for cylindrical threads (ISO metric) for the pre-assembled IP seal on the cable gland.
- The ISO7/1 thread version is available upon request (sample code NAVBN1B).
- Also available in stainless steel AISI 316 (sample code NAVBN1S).
- Other materials on request.
- For "Ex i" intrinsic safety version, RAL 5015 blue nut (sample code NAVBN1IA).