

Cable gland series NAVBF for non-armoured cables from 3/8" to 4"

The NAVBF series barrier cable glands for non-armoured cable, with a female threaded outlet fitting, are designed to guarantee the IP66/67 protection and the explosion protection 'Ex db IIC; Ex eb IIC 'in applications where installation requirements are needed in accordance with the EN - IEC 60079-14: 2015 standard. The barrier is shaped around the conductors thanks to the particular mixture that flows through them in the special bushing ensuring a complete seal. The liquid resin used prevents the formation of air pockets or voids between the conductors and the bushing (typical problems found with malleable resins). Resin kit available separately.



[NAVBF assembly instructions video](#)

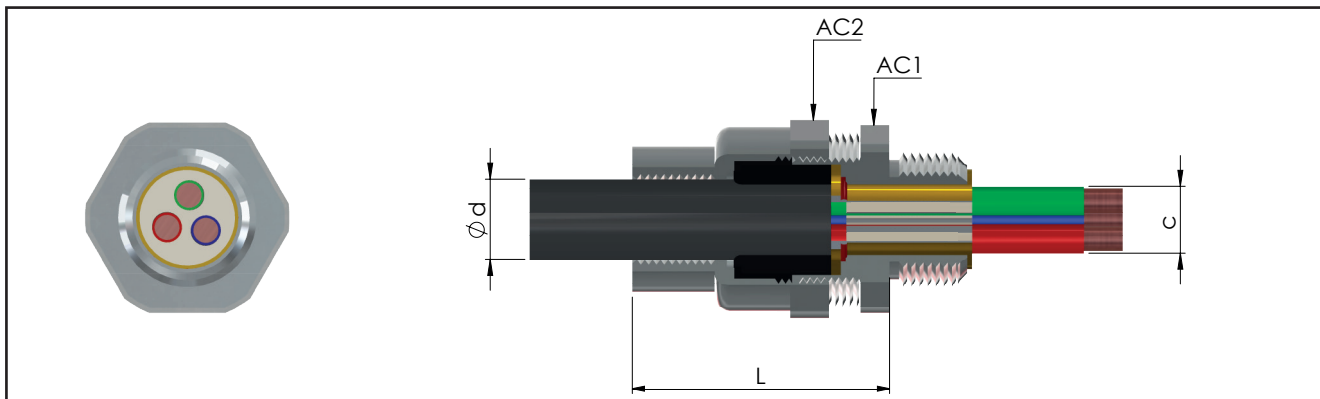
Classification: 2014/34/EU	Group II	Category 2GD/3G
Installation: EN 60079.14	zone 1 - zone 2 (Gas)	zone 21 - zone 22 (Dust)
Marking:	CE 0722 Ex II 2 GD - Ex db IIC Gb - Ex eb IIC Gb II 2 D - Ex tb IIIC Db II 3G Ex nR IIC Gc	
Certification:	ATEX (category 2):	IMQ 19 ATEX 019X
	ATEX (category 3):	IMQ 19 ATEX 020X
	IEC Ex	IECEX IMQ 19.0003X
	TR CU	DISPONIBLE
Standards:	CENELEC EN 60079-0: 2012+A11:2013, EN 60079-1: 2014, EN 60079-7: 2015, EN 60079-15: 2010, EN 60079-31: 2014 and EUROPEAN DIRECTIVE 2014/34/UE IEC60079-0: 2011, IEC60079-1: 2014, IEC60079-7: 2015, IEC60079-15: 2010, IEC60079-31: 2013 RoHS Directive 2002/95/CE	
Operating temperature:	-60°C +100°C	
Protection rating:	IP66/67	
Design	BS 6121: Part 1:1989, IEC 62444, EN 62444	

Certificates are available on www.elfit.com

ACCESSORIES UPON REQUEST

Locknuts	ISO thread	Nickel-plated brass	Galvanized steel	Stainless steel	Black TPV protector	Cableglands	Code	
	M16x1,5	DL01IB	DL01IG	DL01IS		NAVBF01NB	NAVBF16IB	PGA1F
	M20x1,5	DL11IB	DL11IG	DL11IS		NAVBF1SNB	NAVBF20SIB	PGA1N
	M25x1,5	DL21IB	DL21IG	DL21IS		NAVBF1NB	NAVBF20IB	PGA1
	M32x1,5	DL31IB	DL31IG	DL31IS		NAVBF2NB	NAVBF25IB	PGA2N
	M40x1,5	DL41IB	DL41IG	DL41IS		NAVBF3NB	NAVBF32IB	PGA4
	M50x1,5	DL51IB	DL51IG	DL51IS		NAVBF4NB	NAVBF40IB	PGA4
	M63x1,5	DL61IB	DL61IG	DL61IS		NAVBF5SNB	NAVBF50SIB	PGA5
	M75x1,5	DL71IB	DL71IG	DL71IS		NAVBF5NB	NAVBF50IB	PGA5N
	M90x1,5	DL81IB	DL81IG	DL81IS		NAVBF6SNB	NAVBF63SIB	PGA6
	M100x1,5	DL101IB	DL101IG	DL101IS		NAVBF6NB	NAVBF63IB	PGA6
M115x1,5	DL115IB	DL115IG	DL115IS	NAVBF7SNB	NAVBF75SIB	PGA7		
Nickel-plated brass earthing rings	ISO thread	Nickel-plated brass	Stainless steel	Serrated stainless steel lock washers	Code	Adapters and reducers of the RE... series		
	M16x1,5	A0131IB	A0131IS		RD101S/A4		GTR7 Heat shrinkable	
	M20x1,5	A131IB	A131IS		RD11S/A4			
	M25x1,5	A231IB	A231IS		RD12S/A4			
	M32x1,5	A331IB	A331IS		RD13S/A4			
	M40x1,5	A431IB	A431IS		RD14S/A4			
	M50x1,5	A531IB	A531IS		RD15S/A4			
	M63x1,5	A631IB	A631IS		RD16S/A4			
	M75x1,5	A731IB	A731IS					
	M90x1,5	A831IB	A831IS					
M100x1,5	A1031IB	A1031IS						
M115x1,5	A1031B	A1031S						

* For different threads, contact the sales department.



CABLE GLAND SELECTION TABLE

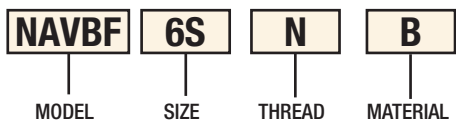
Code Nickel-plated brass	Thread	Code Nickel-plated brass	Thread	Dimensions in mm			Range			Weight Kg	Q.ty of resin ml ***
				AC1	AC2	L	Ød cable max	Øc over cores	n. max cable **		
NAVBF01NB	3/8" NPT	NAVBF16IB	M16x1,5	24	24	48.5	8.6	5.5	11	0,117	1.3
NAVBF1SNB	1/2" NPT	NAVBF20SIB	M20x1,5	24	26	49	11.6	10	11	0,130	3.7
NAVBF1NB	1/2" NPT	NAVBF20IB	M20x1,5	30	32	52.5	14	11	11	0,170	4.2
NAVBF2NB	3/4" NPT	NAVBF25IB	M25x1,5	36	38	51.5	20	15	21	0,233	8.3
NAVBF3NB	1" NPT	NAVBF32IB	M32x1,5	45	47	52.5	27	21	38	0,303	15
NAVBF4NB	1 1/4" NPT	NAVBF40IB	M40x1,5	50	52	53.5	32	27	59	0,401	24
NAVBF5SNB	1 1/2" NPT	NAVBF50SIB	M50x1,5	55	57	56.5	38	33	89	0,530	36
NAVBF5NB	2" NPT	NAVBF50IB	M50x1,5	62/60*	62	56.5	44	35	89	0,470	41
NAVBF6SNB	2" NPT	NAVBF63SIB	M63x1,5	68	77	69	50	43	115	1,079	65
NAVBF6NB	2 1/2" NPT	NAVBF63IB	M63x1,5	75/73*	77	70	56	45	115	0,815	70
NAVBF7SNB	2 1/2" NPT	NAVBF75SIB	M75x1,5	80	82	73.5	62	53	140	0,918	98
NAVBF7NB	3" NPT	NAVBF75IB	M75x1,5	90/85*	90	73.5	68	55	140	1,027	101
NAVBF8NB	3" NPT	NAVBF90IB	M90x1,5	100	110	82	79	65	200	2,071	145
NAVBF9NB	3 1/2" NPT	NAVBF100IB	M100x1,5	115	120	88	91	72	200	2,192	188
NAVBF10NB	4" NPT	NAVBF115IB	M115x1,5	120	130	87.5	98	85	200	2,565	254

* Dimensions with threaded: NPT / ISO.

** At least 20% of the internal section of the bushing must be filled with resin.

*** Maximum quantity of resin calculated with completely empty bushing.

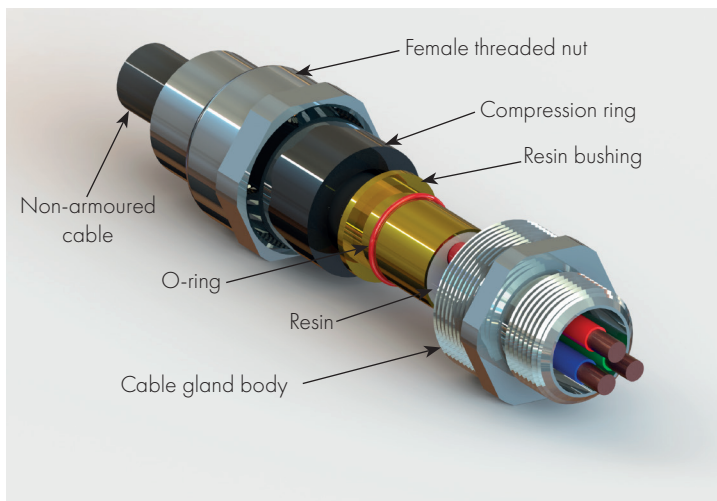
Sample order code of the cable gland



Don't forget to order the resin kit with two-component resin (see p. 27):

- 25 ml resin bag code BOND-B-25
- 100 ml resin bag code BOND-B-100
- 40 ml cartridge + mixing nozzle code BOND-C

(manual dispenser supplied as an option code DISP-C)



TECHNICAL NOTES:

- Silicone o-rings are supplied for cylindrical threads (ISO metric) for the pre-assembled IP seal on the cable gland.
- The ISO7/1 thread version is available upon request (sample code NAVBF1B).
- Also available in stainless steel AISI 316 (sample code NAVBF1S).
- Other materials on request.
- For "Ex i" intrinsic safety version, RAL 5015 blue nut (sample code NAVBF1IA).