

XLFE-LIB



- Zone 1, 2, 21, 22
- Obstruction warnings
- LOW INTENSITY LED technology
- Lamp lifespan more than 10 years
- Complies with ICAO, FAA

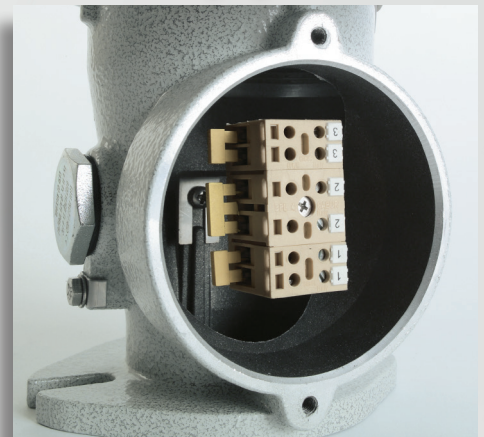
Borosilicate glass globe



Painted aluminium body



Ex e terminal box for fast connection



Low intensity XLFE-LIB LED Obstruction lighting fixtures

XLFE-LIB series low intensity lighting fixtures are suitable to be installed on towers or high buildings as obstacle signalling devices at night thanks to the high power and luminous efficiency light source developed by Cortem Group. The XLFE-LIB lighting fixture, red in color with a luminous intensity of more than 32 candles, complies for light distribution with the ICAO Annex 14 standard for low intensity aviation warning lamps type B (corresponding to the FAA L-810). Type B low intensity obstacle warning lights are designed for buildings with low extension and height above the ground of less than 45 meters. The XLFE-LIB series can be supplied to satisfy also the requests for obstacle warning lights low intensity type A since satisfies the photometric and light intensity requirements. They are also available for industrial signalling in flashing operation and with different light colors upon request. It is equipped with an internal reflector in chromium-plated anticorodal aluminium alloy.

Application sectors:



CERTIFICATION DATA

Classification:	Gruppo II	Categoria 2GD		
Installation: EN 60079.14	zona 1 - zona 2 (Gas)	zona 21 - zona 22 (Polveri)		
Marking:	CE 0722 Ex II 2GD Ex db eb IIC T6 Gb; Ex tb IIIC T75°C Db IP66			
Certification:	ATEX CML 19 ATEX 1333X			
	IECEX IECEX CML 19.0102X			
Standards:	CENELEC EN 60079-0: 2012+A11: 2013, EN 60079-1: 2014, EN 60079-31: 2014, EN 60079-28: 2015, EN 60079-7: 2015 and EUROPEAN DIRECTIVE 2014/34/UE IEC 60079-0: 2011, IEC 60079-1: 2014-06, IEC 60079-28: 2015, IEC 60079-31: 2013, IEC 60079-7: 2015 European Directive 2004/108 Electromagnetic compatibility European Directive 2012/19/UE, 2002/96/CE, 2003/108/CE WEEE European Directive 2011/65/UE RoHS			
Class temperature:	75°C (T6)			
Ambient temperature:	-40°C +60°C (T6)			
Degree of protection:	IP66			

Low intensity XLFE-LIB LED Obstruction lighting fixtures



ORIGINAL PRODUCT

MECHANICAL FEATURES

Body:	Low copper content aluminium alloy
Glass face:	Shock and temperature resistant borosilicate glass sealed with aluminium shade ring
Internal reflector:	In chromed aluminium
Gaskets:	Silicone acid/hydrocarbon and high temperatures resistant
Mounting:	See "XLFE-LIB series dimensional drawings"
Bolts and screws:	Stainless steel
Entries:	2 ISO M25 entries
Coating:	Epoxy coating Ral 7035 (light grey)
Corrosion Resistance:	The STANDARD of the aluminium alloy used by Cortem has passed the tests required by standards EN60068-2-30 (hot/humid cycles) and EN60068-2-11 (salt mist tests)

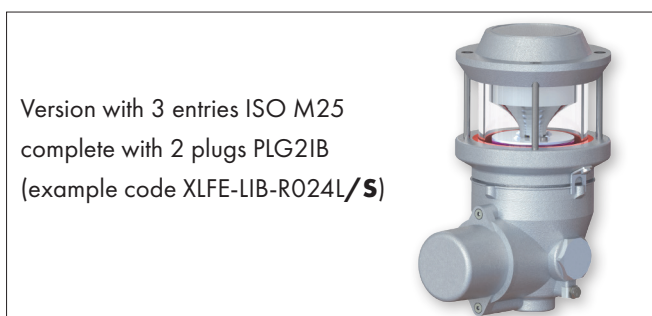
ELECTRICAL FEATURES

LEDs:	4 x LEDs fitted to electronic plate with single circuit
	<ul style="list-style-type: none"> • High resistance to vibration (longer lifespan if installed in severe operating conditions) • Estimated lifespan 100,000 hours (12 hours per day for 20 years)

Obstruction lighting fixtures	Rated voltage	Rated frequency
XLFE-LIB-R230F	100-240 Vac $\pm 10\%$	50/60 Hz
XLFE-LIB-R024F	18-32 Vdc $\pm 10\%$	-


ACCESSORIES AVAILABLE / SPECIAL REQUESTS

Cable gland: NAV25IB for armoured cable or NEV25IB for non-armoured cable
Ex or watertight protected control panel

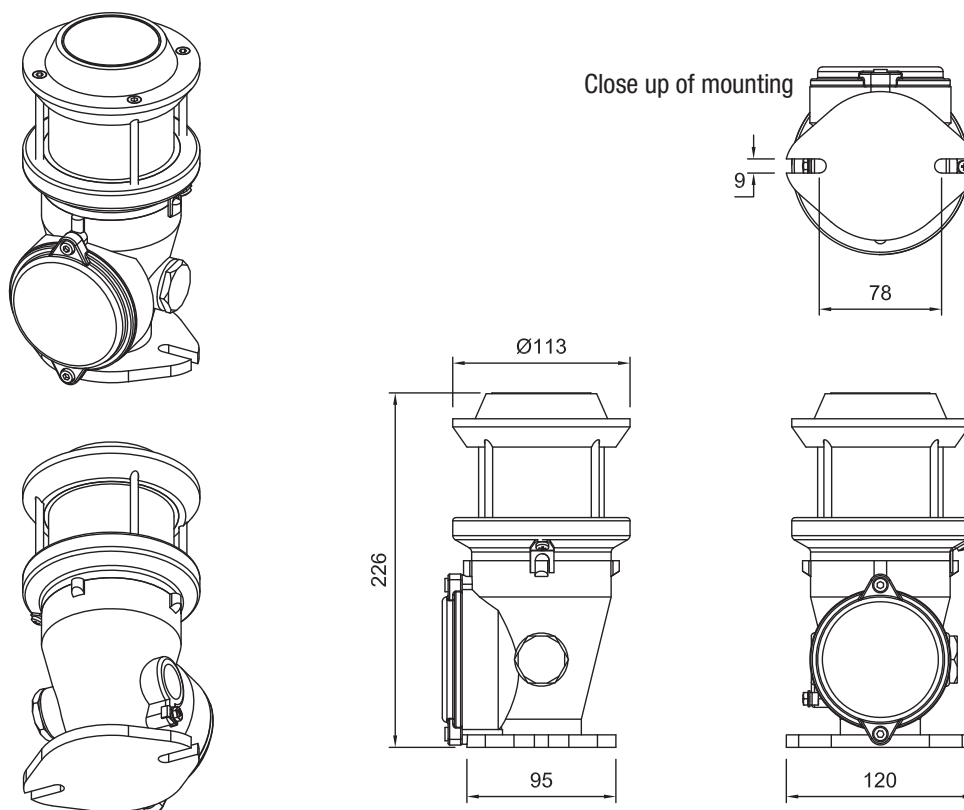


Version with 3 entries ISO M25
complete with 2 plugs PLG2IB
(example code XLFE-LIB-R024L/S)

Low intensity XLFE-LIB LED Obstruction lighting fixtures

Code	Colour light	Type of light	Type of circuit	Power	Weight kg	 mm
XLFE-LIB-R230F	Red	Fixed	Individual	6 W	2 Kg	232x125x125
XLFE-LIB-R024F	Red	Fixed	Individual	6 W	2 Kg	232x125x125

DIMENSIONAL DRAWING



Features	XLFE-LIB
Type of product:	Obstruction lighting fixture Low intensity
Light source:	LED
Color:	Red
Typical use:	Night hours
Power consumption:	6 W
Connection:	Direct connection to terminal board L, N, Pe. Section 4mm ² , suitable for loop-in/loop-out
Vertical beam spread:	> 10°
Minimum light intensity (360°):	>32 cd in nighttime
Horizontal coverage:	360°