

Cable gland series NAVBN for non-armoured cables from 3/8" to 4"

The NAVBN series barrier cable glands for non-armoured cable, with a male threaded outlet fitting, are designed to guarantee the IP66/67 protection and the explosion protection 'Ex db IIC; Ex eb IIC' in applications where installation requirements are needed in accordance with the EN - IEC 60079-14: 2015 standard. The barrier is shaped around the conductors thanks to the particular mixture that flows through them in the special bushing ensuring a complete seal. The liquid resin used prevents the formation of air pockets or voids between the conductors and the bushing (typical problems found with malleable resins). Resin kit available separately.



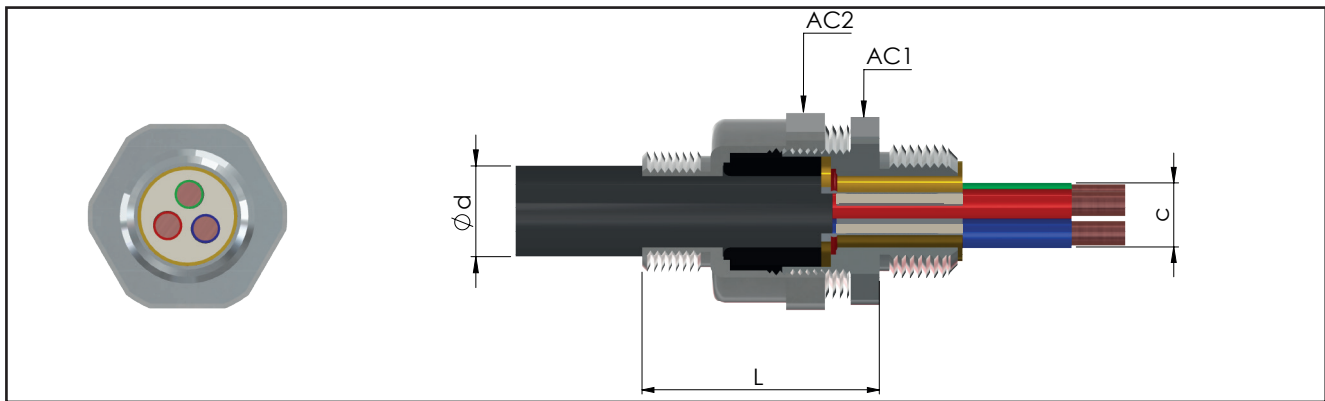
[NAVBN assembly instructions video](#)

Classification: 2014/34/EU	Group II	Category 2GD/3G
Installation: EN 60079.14	zone 1 - zone 2 (Gas)	zone 21 - zone 22 (Dust)
Marking:	CE 0722 Ex II 2 GD - Ex db IIC Gb - Ex eb IIC Gb II 2 D - Ex tb IIIC Db II 3G Ex nR IIC Gc	
Certification:	ATEX (category 2):	IMQ 19 ATEX 019X
	ATEX (category 3):	IMQ 19 ATEX 020X
	IEC Ex	IECEX IMQ 19.0003X
	TR CU	DISPONIBILE
Standards:	CENELEC EN 60079-0: 2012+A11:2013, EN 60079-1: 2014, EN 60079-7: 2015, EN 60079-15: 2010, EN 60079-31: 2014 ed all DIRETTIVA EUROPEA 2014/34/UE IEC60079-0: 2011, IEC60079-1: 2014, IEC60079-7: 2015, IEC60079-15: 2010, IEC60079-31: 2013 Direttiva RoHS 2011/65/UE	
Operating temperature:	-60°C +100°C	
Protection rating:	IP66/67	
Design	BS 6121: Part 1:1989, IEC 62444, EN 62444	

Certificates are available on www.elfit.com

ACCESSORIES UPON REQUEST						
Locknuts 	ISO thread	Nickel-plated brass	Galvanized steel	Stainless steel	Black TPV protector 	Cableglands NAVBN01NB NAVBN16IB PGA1F NAVBN1SNB NAVBN20SIB PGA1N NAVBN1NB NAVBN20IB PGA1 NAVBN2NB NAVBN25IB PGA2N NAVBN3NB NAVBN32IB PGA4 NAVBN4NB NAVBN40IB PGA4 NAVBN5SNB NAVBN50SIB PGA5 NAVBN5NB NAVBN50IB PGA5N NAVBN6SNB NAVBN63SIB PGA6 NAVBN6NB NAVBN63IB PGA6 NAVBN7SNB NAVBN75SIB PGA7 NAVBN7NB NAVBN75IB NAVBN8NB NAVBN90IB NAVBN9NB NAVBN100IB NAVBN10NB NAVBN115IB GTR7 Heat shrinkable
	M16x1,5	DL01IB	DL01IG	DL01IS		
	M20x1,5	DL11IB	DL11IG	DL11IS		
	M25x1,5	DL21IB	DL21IG	DL21IS		
	M32x1,5	DL31IB	DL31IG	DL31IS		
	M40x1,5	DL41IB	DL41IG	DL41IS		
	M50x1,5	DL51IB	DL51IG	DL51IS		
	M63x1,5	DL61IB	DL61IG	DL61IS		
	M75x1,5	DL71IB	DL71IG	DL71IS		
	M90x1,5	DL81IB	DL81IG	DL81IS		
M100x1,5	DL10IB	DL10IG	DL10IS			
M115x1,5	DL115IB	DL115IG	DL115IS			
Nickel-plated brass earthing rings 	ISO thread	Nickel-plated brass	Stainless steel	Serrated stainless steel lock washers	Code	Adapters and reducers of the RE... series
	M16x1,5	A0131IB	A0131IS		RD101S/A4	
	M20x1,5	A131IB	A131IS		RD11S/A4	
	M25x1,5	A231IB	A231IS		RD12S/A4	
	M32x1,5	A331IB	A331IS		RD13S/A4	
	M40x1,5	A431IB	A431IS		RD14S/A4	
	M50x1,5	A531IB	A531IS		RD15S/A4	
	M63x1,5	A631IB	A631IS		RD16S/A4	
	M75x1,5	A731IB	A731IS			
	M90x1,5	A831IB	A831IS			
M100x1,5	A1031IB	A1031IS				
M115x1,5	A1031IB	A1031IS				

* For different threads, contact the sales department.



CABLE GLAND SELECTION TABLE

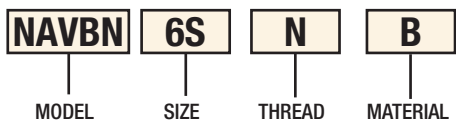
Code Nickel-plated brass	Thread	Code Nickel-plated brass	Thread	Dimensions in mm			Range			Weight Kg	Q.ty of resin ml ***
				AC1	AC2	L	Ød cable max	Øc over cores	n. max cable **		
NAVBN01NB	3/8" NPT	NAVBN16IB	M16x1,5	24	24	47.5	8.6	5.5	11	0,115	1.3
NAVBN1SNB	1/2" NPT	NAVBN20SIB	M20x1,5	24	26	48	11.6	10	11	0,134	3.7
NAVBN1NB	1/2" NPT	NAVBN20IB	M20x1,5	30	32	51.5	14	11	11	0,165	4.2
NAVBN2NB	3/4" NPT	NAVBN25IB	M25x1,5	36	38	50.5	20	15	21	0,211	8.3
NAVBN3NB	1" NPT	NAVBN32IB	M32x1,5	45	47	51.5	27	21	38	0,290	15
NAVBN4NB	1 1/4" NPT	NAVBN40IB	M40x1,5	50	52	52.5	32	27	59	0,396	24
NAVBN5SNB	1 1/2" NPT	NAVBN50SIB	M50x1,5	55	57	54.5	38	33	89	0,534	36
NAVBN5NB	2" NPT	NAVBN50IB	M50x1,5	62/60*	62	54.5	44	35	89	0,431	41
NAVBN6SNB	2" NPT	NAVBN63SIB	M63x1,5	68	77	67	50	43	115	1,137	65
NAVBN6NB	2 1/2" NPT	NAVBN63IB	M63x1,5	75/73*	77	68	56	45	115	0,786	70
NAVBN7SNB	2 1/2" NPT	NAVBN75SIB	M75x1,5	80	82	71.5	62	53	140	1,082	98
NAVBN7NB	3" NPT	NAVBN75IB	M75x1,5	90/85*	90	71.5	68	55	140	1,042	101
NAVBN8NB	3" NPT	NAVBN90IB	M90x1,5	100	110	80	79	65	200	1,984	145
NAVBN9NB	3 1/2" NPT	NAVBN100IB	M100x1,5	115	120	86	91	72	200	2,043	188
NAVBN10NB	4" NPT	NAVBN115IB	M115x1,5	120	130	85.5	98	85	200	3,056	254

* Dimensions with threaded: NPT / ISO.

** At least 20% of the internal section of the bushing must be filled with resin.

*** Maximum quantity of resin calculated with completely empty bushing.

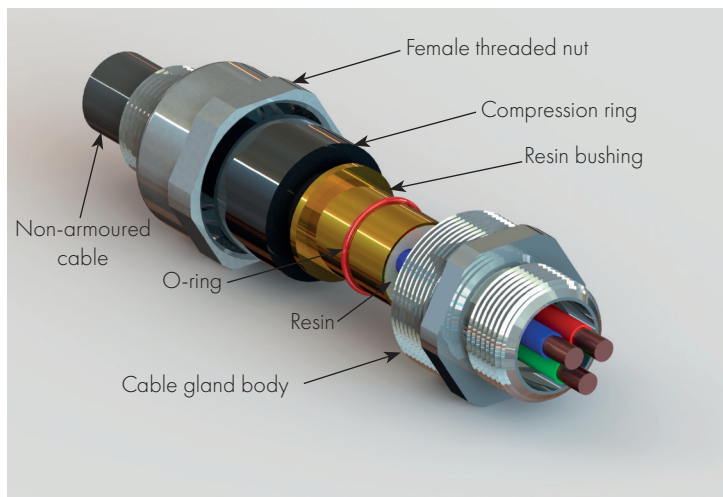
Sample order code of the cable gland



Don't forget to order the resin kit with two-component resin (see p. B.21):

- 25 ml resin bag code BOND-B-25
- 100 ml resin bag code BOND-B-100
- 40 ml cartridge + mixing nozzle code BOND-C

(manual dispenser supplied as an option code DISP-C)



TECHNICAL NOTES:

- Silicone o-rings are supplied for cylindrical threads (ISO metric) for the pre-assembled IP seal on the cable gland.
- The ISO7/1 thread version is available upon request (sample code NAVBN1B).
- Also available in stainless steel AISI 316 (sample code NAVBN1S).
- Other materials on request.
- For "Ex i" intrinsic safety version, RAL 5015 blue nut (sample code NAVBN1IA).