

Cable gland series NAVGB for non-armoured cables from 3/8" to 4"

The NAVGB series barrier cable glands for non-armoured cable are designed to guarantee the IP66/67 protection and the explosion protection 'Ex db IIC; Ex eb IIC' in applications where installation requirements are needed in accordance with the EN - IEC 60079-14: 2015 standard. The NAVGB cable glands are equipped with an additional gasket to tighten the cable inside the cable gland.

The barrier is shaped around the conductors thanks to the particular mixture that flows through them in the special bushing ensuring a complete seal. The liquid resin used prevents the formation of air pockets or voids between the conductors and the bushing (typical problems found with malleable resins). Resin kit available separately.



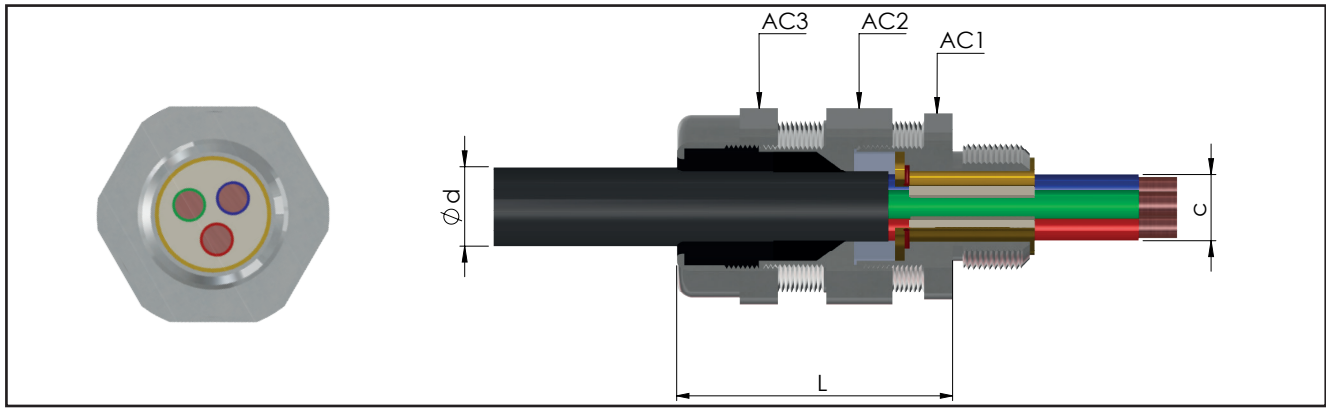
[NAVGB assembly instructions video](#)

Classification: 2014/34/EU	Group II	Category 2GD/3G
Installation: EN 60079.14	zone 1 - zone 2 (Gas)	zone 21 - zone 22 (Dust)
Marking:	CE 0722 Ex II 2 GD - Ex db IIC Gb - Ex eb IIC Gb II 2 D - Ex tb IIIC Db II 3G Ex nR IIC Gc	
Certification:	ATEX (category 2):	IMQ 19 ATEX 019X
	ATEX (category 3):	IMQ 19 ATEX 020X
	IEC Ex	IECEX IMQ 19.0003X
	TR CU	DISPONIBILE
Standards:	CENELEC EN 60079-0: 2012+A11:2013, EN 60079-1: 2014, EN 60079-7: 2015, EN 60079-15: 2010, EN 60079-31: 2014 ed alla DIRETTIVA EUROPEA 2014/34/UE IEC60079-0: 2011, IEC60079-1: 2014, IEC60079-7: 2015, IEC60079-15: 2010, IEC60079-31: 2013 Direttiva RoHS 2002/95/CE	
Operating temperature:	-60°C +100°C	
Protection rating:	IP66/67	
Design	BS 6121: Part 1:1989, IEC 62444, EN 62444	

Certificates are available on www.elfit.com

ACCESSORIES UPON REQUEST							
Locknuts 	ISO thread	Nickel-plated brass	Galvanized steel	Stainless steel	Black TPV protector	Cableglands	Code
	M16x1,5	DL01IB	DL01IG	DL01IS		NAVGB01NB NAVGB16IB	PGA1F
	M20x1,5	DL11IB	DL11IG	DL11IS		NAVGB1SNB NAVGB20SIB	PGA1N
	M25x1,5	DL21IB	DL21IG	DL21IS		NAVGB1NB NAVGB20IB	PGA1
	M32x1,5	DL31IB	DL31IG	DL31IS		NAVGB2NB NAVGB25IB	PGA2N
	M40x1,5	DL41IB	DL41IG	DL41IS		NAVGB3NB NAVGB32IB	PGA4
	M50x1,5	DL51IB	DL51IG	DL51IS		NAVGB4NB NAVGB40IB	PGA4
	M63x1,5	DL61IB	DL61IG	DL61IS		NAVGB5SNB NAVGB50SIB	PGA5
	M75x1,5	DL71IB	DL71IG	DL71IS		NAVGB5NB NAVGB50IB	PGA5N
	M90x1,5	DL81IB	DL81IG	DL81IS		NAVGB6SNB NAVGB63SIB	PGA6
M100x1,5	DL10IB	DL10IG	DL10IS	NAVGB6NB NAVGB63IB		PGA7	
M115x1,5	DL115IB	DL115IG	DL115IS	NAVGB7SNB NAVGB75SIB	GTR7 Heat shrinkable		
				NAVGB7NB NAVGB75IB			
				NAVGB8NB NAVGB90IB			
				NAVGB9NB NAVGB100IB			
				NAVGB10NB NAVGB115IB			
Nickel-plated brass earthing rings 	ISO thread	Nickel-plated brass	Stainless steel	Serrated stainless steel lock washers	Code	Adapters and reducers of the RE... series	
	M16x1,5	A0131IB	A0131IS		RD101S/A4		
	M20x1,5	A131IB	A131IS		RD11S/A4		
	M25x1,5	A231IB	A231IS		RD12S/A4		
	M32x1,5	A331IB	A331IS		RD13S/A4		
	M40x1,5	A431IB	A431IS		RD14S/A4		
	M50x1,5	A531IB	A531IS		RD15S/A4		
	M63x1,5	A631IB	A631IS		RD16S/A4		
	M75x1,5	A731IB	A731IS				
	M90x1,5	A831IB	A831IS				
M100x1,5	A1031IB	A1031IS					
M115x1,5	A1031IB	A1031IS					

* For different threads, contact the sales department.



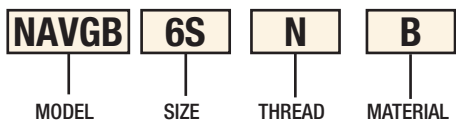
CABLE GLAND SELECTION TABLE												
Code Nickel-plated brass	Thread	Code Nickel-plated brass	Thread	Dimensions in mm				Range			Peso Kg	Q.ty of resin ml ***
				AC1	AC2	AC3	L	Ød cable max	Øc over cores	n. max cable **		
NAVGB01NB	3/8" NPT	NAVGB16IB	M16x1,5	24	24	24	54	3.5 - 8.6	5.5	11	0,130	1.3
NAVGB1SNB	1/2" NPT	NAVGB20SIB	M20x1,5	24	26	26	54	6.3 - 11.6	10	11	0,141	3.7
NAVGB1NB	1/2" NPT	NAVGB20IB	M20x1,5	30	32	32	57	6.5 - 14	11	11	0,193	4.2
NAVGB2NB	3/4" NPT	NAVGB25IB	M25x1,5	36	38	38	57	11 - 20	15	21	0,234	8.3
NAVGB3NB	1" NPT	NAVGB32IB	M32x1,5	45	47	47	62	17 - 27	21	38	0,389	15
NAVGB4NB	1 1/4" NPT	NAVGB40IB	M40x1,5	50	52	52	62	22 - 32	27	59	0,462	24
NAVGB5SNB	1 1/2" NPT	NAVGB50SIB	M50x1,5	55	57	57	65	29.5 - 38	33	89	0,549	36
NAVGB5NB	2" NPT	NAVGB50IB	M50x1,5	62/60*	62	62	65	35.5 - 44	35	89	0,505	41
NAVGB6SNB	2" NPT	NAVGB63SIB	M63x1,5	68	75	77	77.5	40 - 50	43	115	1,035	65
NAVGB6NB	2 1/2" NPT	NAVGB63IB	M63x1,5	75/73*	80	82	78.5	47 - 56	45	115	0,990	70
NAVGB7SNB	2 1/2" NPT	NAVGB75SIB	M75x1,5	80	85	90	84	53 - 62	53	140	1,177	98
NAVGB7NB	3" NPT	NAVGB75IB	M75x1,5	90/85*	95	100	85	59 - 68	55	140	1,384	101
NAVGB8NB	3" NPT	NAVGB90IB	M90x1,5	100	105	110	91	66 - 79	65	200	1,800	145
NAVGB9NB	3 1/2" NPT	NAVGB100IB	M100x1,5	115	120	120	94	76 - 91	72	200	2,142	188
NAVGB10NB	4" NPT	NAVGB115IB	M115x1,5	120	125	130	93.5	86 - 98	85	200	2,504	254

* Dimensions with threaded: NPT / ISO

** At least 20% of the internal section of the bushing must be filled with resin.

*** Maximum quantity of resin calculated with completely empty bushing.

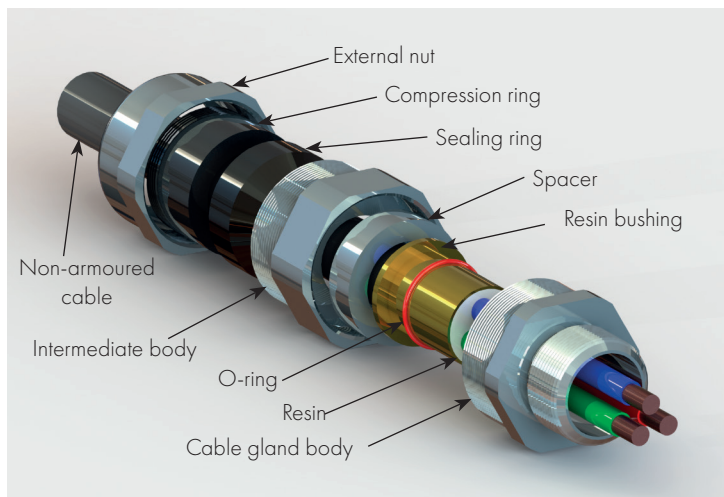
Sample order code of the cable gland



Don't forget to order the resin kit with two-component resin (see p. B.19):

- 25 ml resin bag code BOND-B-25
- 100 ml resin bag code BOND-B-100
- 40 ml cartridge + mixing nozzle code BOND-C

(manual dispenser supplied as an option code DISP-C)



TECHNICAL NOTES:

- Silicone o-rings are supplied for cylindrical threads (ISO metric) for the pre-assembled IP seal on the cable gland.
- The ISO7/1 thread version is available upon request (sample code NAVGB1B).
- Also available in stainless steel AISI 316 (sample code NAVGB1S).
- Other materials on request.