

**Cable gland series NEVB for armoured cables from 3/8" to 4"**

The NEVB series barrier cable glands for armoured cable are designed to guarantee the IP66/67 protection and the explosion protection 'Ex db IIC; Ex eb IIC 'in applications where installation requirements are needed in accordance with the EN - IEC 60079-14: 2015 standard. The barrier is shaped around the conductors thanks to the particular mixture that flows through them in the special bushing ensuring a complete seal. The liquid resin used prevents the formation of air pockets or voids between the conductors and the bushing (typical problems found with malleable resins). Resin kit available separately.



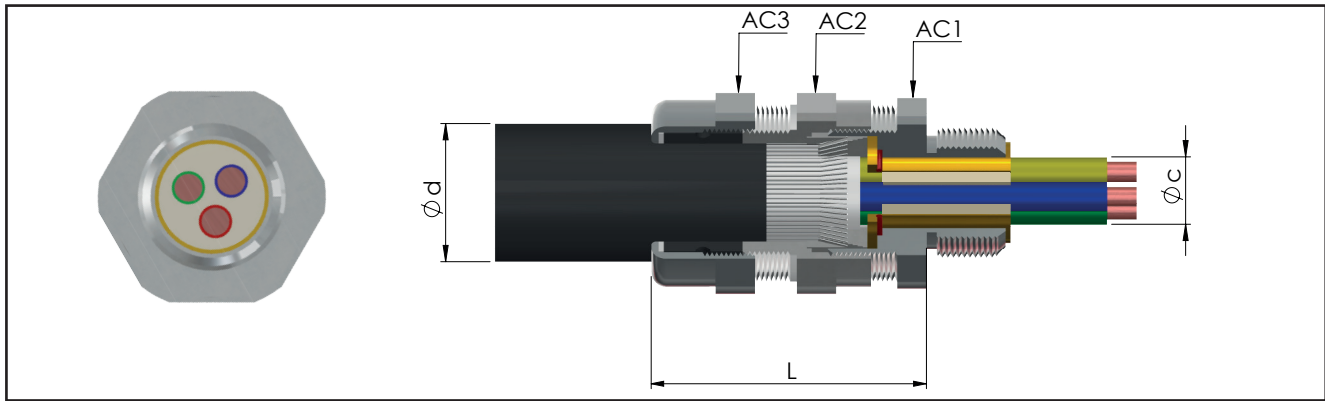
[NEVB assembly instructions video](#)

<b>Classification:</b> 2014/34/EU	<b>Group II</b>	<b>Category 2GD/3G</b>
<b>Installation:</b> EN 60079.14	<b>zone 1 - zone 2 (Gas)</b>	<b>zone 21 - zone 22 (Dust)</b>
<b>Marking:</b>	CE 0722 Ex II 2 GD - Ex db IIC Gb - Ex eb IIC Gb II 2 D - Ex tb IIIC Db II 3G Ex nR IIC Gc	
<b>Certification:</b>	<b>ATEX (category 2):</b>	<b>IMQ 19 ATEX 019X</b>
	<b>ATEX (category 3):</b>	<b>IMQ 19 ATEX 020X</b>
	<b>IEC Ex</b>	<b>IECEX IMQ 19.0003X</b>
<b>Standards:</b>	CENELEC EN 60079-0: 2012+A11:2013, EN 60079-1: 2014, EN 60079-7: 2015, EN 60079-15: 2010, EN 60079-31: 2014 ed alla DIRETTIVA EUROPEA 2014/34/UE IEC60079-0: 2011, IEC60079-1: 2014, IEC60079-7: 2015, IEC60079-15: 2010, IEC60079-31: 2013 Direttiva RoHS 2011/65/UE	
<b>Operating temperature:</b>	<b>-60°C +100°C</b>	
<b>Protection rating:</b>	<b>IP66/67</b>	
<b>Design</b>	<b>BS 6121: Part 1:1989, IEC 62444, EN 62444</b>	

Certificates are available on [www.elfit.com](http://www.elfit.com)

ACCESSORIES UPON REQUEST									
	ISO thread	Nickel-plated brass	Galvanized steel	Stainless steel	Black TPV protector	Cableglands	Code		
	M16x1,5	DL01IB	DL01IG	DL01IS		NEVB01NB	NEVB16IB	PGA1F	
	M20x1,5	DL11IB	DL11IG	DL11IS		NEVB1SNB	NEVB20SIB	PGA1N	
	M25x1,5	DL21IB	DL21IG	DL21IS		NEVB1NB	NEVB20IB	PGA1	
	M32x1,5	DL31IB	DL31IG	DL31IS		NEVB2NB	NEVB25IB	PGA2N	
	M40x1,5	DL41IB	DL41IG	DL41IS		NEVB3NB	NEVB32IB	PGA4	
	M50x1,5	DL51IB	DL51IG	DL51IS		NEVB4NB	NEVB40IB	PGA4	
	M63x1,5	DL61IB	DL61IG	DL61IS		NEVB5SNB	NEVB50SIB	PGA5	
	M75x1,5	DL71IB	DL71IG	DL71IS		NEVB5NB	NEVB50IB	PGA5N	
	M90x1,5	DL81IB	DL81IG	DL81IS		NEVB6SNB	NEVB63SIB	PGA6	
M100x1,5	DL10IB	DL10IG	DL10IS		NEVB6NB	NEVB63IB	PGA7		
M115x1,5	DL115IB	DL115IG	DL115IS		NEVB7SNB	NEVB75SIB			
M115x1,5	DL115IB	DL115IG	DL115IS		NEVB7NB	NEVB75IB			
M115x1,5	DL115IB	DL115IG	DL115IS		NEVB8NB	NEVB90IB			
M115x1,5	DL115IB	DL115IG	DL115IS		NEVB9NB	NEVB100IB			
M115x1,5	DL115IB	DL115IG	DL115IS		NEVB10NB	NEVB115IB			

\* For different threads, contact the sales department.



**CABLE GLAND SELECTION TABLE**

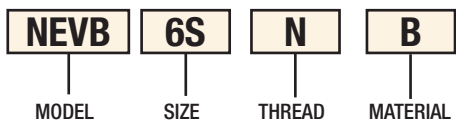
Code Nickel-plated brass	Thread	Code Nickel-plated brass	Thread	Dimensions in mm				Range			Peso Kg	Q.ty of resin ml ***
				AC1	AC2	AC3	L	Ød cable max	Øc over cores	n. max cable **		
NEVB01NB	3/8" NPT	NEVB16IB	M16x1,5	24	24	24	52	6 - 13.2	5.5	11	0,159	1.3
NEVB1SNB	1/2" NPT	NEVB20SIB	M20x1,5	24	26	26	53	9.5 - 16	10	11	0,172	3.7
NEVB1NB	1/2" NPT	NEVB20IB	M20x1,5	30	32	32	59	12.5 - 21	11	11	0,236	4.2
NEVB2NB	3/4" NPT	NEVB25IB	M25x1,5	36	38	38	55	20 - 27.5	15	21	0,287	8.3
NEVB3NB	1" NPT	NEVB32IB	M32x1,5	45	47	47	63	23.5 - 34	21	38	0,476	15
NEVB4NB	1 1/4" NPT	NEVB40IB	M40x1,5	50	52	52	65	26 - 40	27	59	0,565	24
NEVB5SNB	1 1/2" NPT	NEVB50SIB	M50x1,5	55	57	57	69	35 - 46.5	33	89	0,671	36
NEVB5NB	2" NPT	NEVB50IB	M50x1,5	60	62	62	69	38 - 53	35	89	0,618	41
NEVB6SNB	2" NPT	NEVB63SIB	M63x1,5	68	75	77	81	45.5 - 59.5	43	115	1,266	65
NEVB6NB	2 1/2" NPT	NEVB63IB	M63x1,5	73	80	82	83	54.5 - 66	45	115	1,210	70
NEVB7SNB	2 1/2" NPT	NEVB75SIB	M75x1,5	80	85	90	87	57 - 72	53	140	1,438	98
NEVB7NB	3" NPT	NEVB75IB	M75x1,5	85	95	100	88	66.5 - 78.5	55	140	1,691	101
NEVB8NB	3" NPT	NEVB90IB	M90x1,5	100	105	110	92	76.5 - 90	65	200	2,200	145
NEVB9NB	3 1/2" NPT	NEVB100IB	M100x1,5	115	120	120	100	86 - 101	72	200	2,619	188
NEVB10NB	4" NPT	NEVB115IB	M115x1,5	120	125	130	100	100 - 110	85	200	3,061	254

\* Dimensions with threaded: NPT / ISO.

\*\* At least 20% of the internal section of the bushing must be filled with resin.

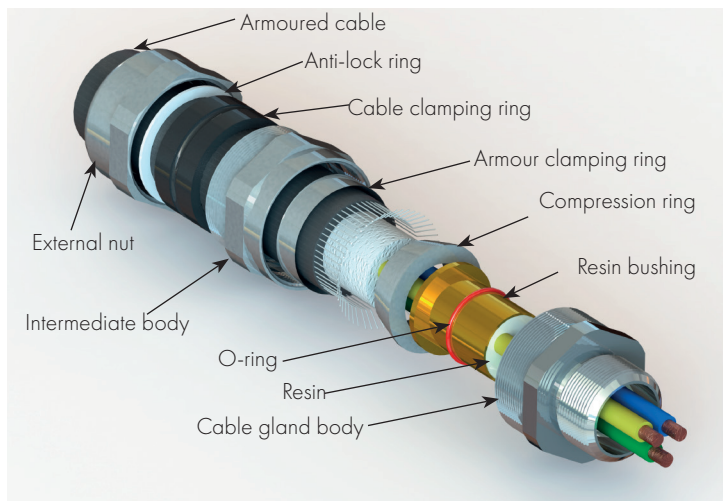
\*\*\* Maximum quantity of resin calculated with completely empty bushing.

**Sample order code of the cable gland**



Cartridge  
Mixing nozzle  
Dispenser

Don't forget to order the resin kit with two-component resin (see p. B.21):  
 - 25 ml resin bag code BOND-B-25  
 - 100 ml resin bag code BOND-B-100  
 - 40 ml cartridge + mixing nozzle code BOND-C  
 (manual dispenser supplied as an option code DISP-C)



**TECHNICAL NOTES:**

- Silicone o-rings are supplied for cylindrical threads (ISO metric) for the pre-assembled IP seal on the cable gland.
- The ISO7/1 thread version is available upon request (sample code NEVB1B).
- Also available in stainless steel AISI 316 (sample code NEVB1S).
- Other materials on request.
- For "Ex i" intrinsic safety version, RAL 5015 blue nut (sample code NEVB1IA).