

**Cable glands series NAVP in polyamide for non-armoured cable**

NAVP series cable glands in polyamide with ISO thread are used in hazardous areas to allow direct insertions of non-armoured cables into Ex e (NAVP..IXE) or Ex i (NAVP..IXI) equipment or junction boxes. They can be installed easily, they are strikes resistant until 7J and they ensure Ex e and IP protection on the cable external sheath.



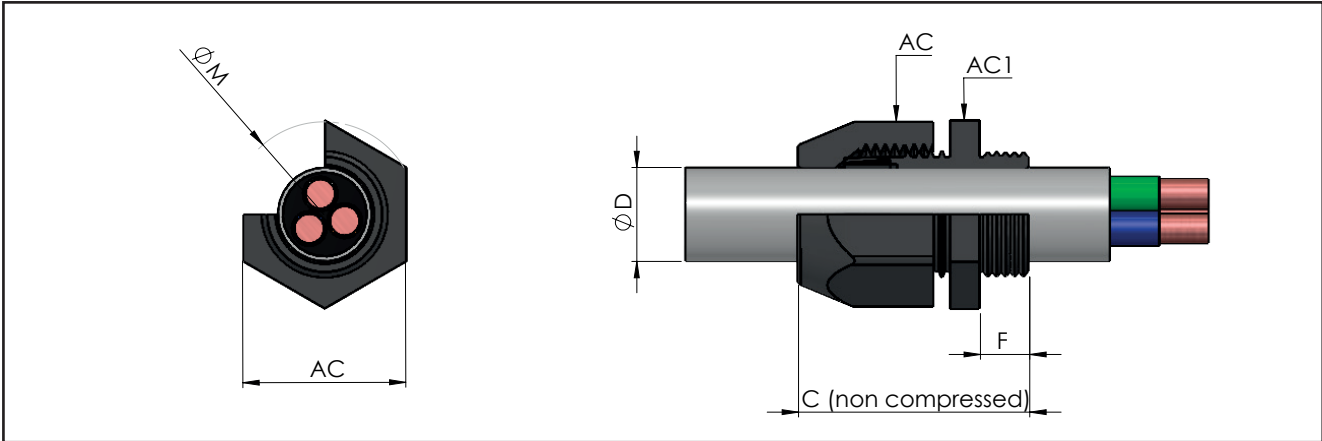
[NAVP assembly instructions video](#)

|                                      |  |                                 |
|--------------------------------------|--|---------------------------------|
| <b>Classification:</b><br>2014/34/UE | <b>Group II</b>  | <b>Category 2GD</b>             |
| <b>Installation:</b><br>EN 60079.14  | <b>zone 1 - zone 2 (Gas)</b>   | <b>zone 21 - zone 22 (Dust)</b> |
| <b>Marking:</b>                      | <b>CE 0722 Ex II 2 GD - Ex eb IIC Gb Ex tb IIIC Db IP66/68 *</b>   |                                 |
| <b>Certification:</b>                | <b>ATEX</b>  | <b>IMQ 16 ATEX 005X</b>         |
|                                      | <b>IECEX</b>   | <b>IECEX IMQ 15.0009X</b>       |
| <b>Standards:</b>                    | <b>CENELEC EN 60079-0: 2012/13, EN 60079-7: 2015, EN 60079-11: 2012, EN 60079-31: 2014 ed alla DIRETTIVA EUROPEA 2014/34/UE IEC 60079-0: 2011, IEC 60079-7: 2015, IEC 60079-11: 2011, IEC 60079-31: 2013 Direttiva RoHS 2011/65/UE</b> |                                 |
| <b>Operating temperature:</b>        | <b>-60°C +70°C</b>   |                                 |
| <b>Degree of protection:</b>         | <b>IP66/68 (50 meters - 30 minutes)</b>  |                                 |

Certificates are available on [www.elfit.com](http://www.elfit.com)

\* Ex e IIC cable glands can be used with Ex i circuits. The nut of these cable gland shall be painted blue and marking will not be changed. The nut of these cable gland shall be painted blue and marking will not be changed.

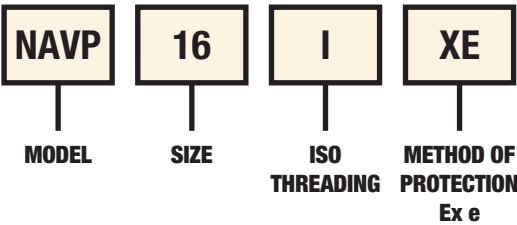
| Accessories upon request |            |                 |           |                         |            |              |
|--------------------------|------------|-----------------|-----------|-------------------------|------------|--------------|
| Locknut                  | ISO thread | Code            | Material  | Plugs for IP protection | ISO thread | Code         |
|                          | M12x1,5    | <b>DL02IXEP</b> | Polyamide |                         | M12x1,5    | <b>PT02N</b> |
|                          | M16x1,5    | <b>DL01IXEP</b> |           |                         | M16x1,5    | <b>PT01N</b> |
|                          | M20x1,5    | <b>DL1IXEP</b>  |           |                         | M20x1,5    | <b>PT1N</b>  |
|                          | M25x1,5    | <b>DL2IXEP</b>  |           |                         | M25x1,5    | <b>PT2N</b>  |
|                          | M32x1,5    | <b>DL3IXEP</b>  |           |                         | M32x1,5    | <b>PT3N</b>  |
|                          | M40x1,5    | <b>DL4IXEP</b>  |           |                         | M40x1,5    | <b>PT4N</b>  |
|                          | M50x1,5    | <b>DL5IXEP</b>  |           |                         | M50x1,5    | <b>PT5N</b>  |
|                          | M63x1,5    | <b>DL6IXEP</b>  |           |                         | M63x1,5    | <b>PT6N</b>  |



**CABLE GLANDS SELECTION TABLE**

| Code<br>Polyamide           | Method of protection | Thread  | Dimensions in mm |     |    |    |      | Range      | Weight |
|-----------------------------|----------------------|---------|------------------|-----|----|----|------|------------|--------|
|                             |                      |         | AC               | AC1 | ØM | F  | C    | ØD min-max | Kg     |
| NAV <sup>P</sup> 12IXE      | Ex e                 | M12x1,5 | 15               | 15  | 17 | 10 | 32   | 4 - 6,5    | 0,004  |
| NAV <sup>P</sup> 16IXE      |                      | M16x1,5 | 22               | 22  | 25 | 15 | 44,5 | 6 - 10     | 0,006  |
| NAV <sup>P</sup> 20IXE      |                      | M20x1,5 | 24               | 24  | 28 | 15 | 45   | 7 - 12     | 0,010  |
| NAV <sup>P</sup> 25IXE-X6DS |                      | M25x1,5 | 33               | 33  | 38 | 15 | 50   | 10 - 18    | 0,016  |
| NAV <sup>P</sup> 25IXE      |                      | M25x1,5 | 33               | 33  | 38 | 15 | 50   | 14 - 18    | 0,016  |
| NAV <sup>P</sup> 32IXE      |                      | M32x1,5 | 42               | 42  | 48 | 15 | 55,5 | 19 - 25    | 0,042  |
| NAV <sup>P</sup> 40IXE      |                      | M40x1,5 | 53               | 53  | 60 | 18 | 68   | 23 - 32    | 0,074  |
| NAV <sup>P</sup> 50IXE      |                      | M50x1,5 | 60               | 60  | 69 | 18 | 72   | 31 - 38    | -      |
| NAV <sup>P</sup> 63IXE      |                      | M63x1,5 | 65               | 65  | 75 | 18 | 72   | 35 - 44    | -      |
| NAV <sup>P</sup> 12IXI      | Ex i                 | M12x1,5 | 15               | 15  | 17 | 10 | 32   | 4 - 6,5    | 0,004  |
| NAV <sup>P</sup> 16IXI      |                      | M16x1,5 | 22               | 22  | 25 | 15 | 44,5 | 6 - 10     | 0,006  |
| NAV <sup>P</sup> 20IXI      |                      | M20x1,5 | 24               | 24  | 28 | 15 | 45   | 7 - 12     | 0,010  |
| NAV <sup>P</sup> 25IXI      |                      | M25x1,5 | 33               | 33  | 38 | 15 | 50   | 14 - 18    | 0,016  |
| NAV <sup>P</sup> 32IXI      |                      | M32x1,5 | 42               | 42  | 48 | 15 | 55,5 | 19 - 25    | 0,042  |
| NAV <sup>P</sup> 40IXI      |                      | M40x1,5 | 53               | 53  | 60 | 18 | 68   | 23 - 32    | 0,074  |
| NAV <sup>P</sup> 50IXI      |                      | M50x1,5 | 60               | 60  | 69 | 18 | 72   | 31 - 38    | -      |
| NAV <sup>P</sup> 63IXI      |                      | M63x1,5 | 65               | 65  | 75 | 18 | 72   | 35 - 44    | -      |

Example of Order Code



TECHNICAL NOTES:

- Silicone gaskets
- Color of cable gland black RAL 9005 (Ex e) or blue RAL 5015 (Ex i)
- Strikes resistant 7J

