

Cable gland series NEVCF for armoured cables "coldflow"

The NEVCF series cable gland is suitable for inserting only circular armoured cables into 'Ex db' enclosures with threaded entries and 'Ex eb' or 'Ex tb' enclosures with threaded or flat entries. The NEVCF series cable gland was designed to prevent the phenomenon called "COLD FLOW" that is the tendency of a solid material to deform under the constant stress of mechanical pressure. A cable is defined as "COLD FLOW" when the sheath under the armor undergoes, over time, deformations that undermine the integrity of the cable and the seal of the cable gland itself. The NEVCF cable gland, unlike traditional cable glands, has a rubber seal that closes the cable sheath, ensuring the perfect use in accordance with IEC/EN60079-14 Standard and therefore suitable for use with "COLD FLOW" cables.

To guarantee the IP 66/68 protection degree, NEVCF type cable glands with cylindrical thread are available for use with a flat gasket, while for all other threads, the IP 66/68 protection degree is obtained with the sealant applied on at least two threads complete.



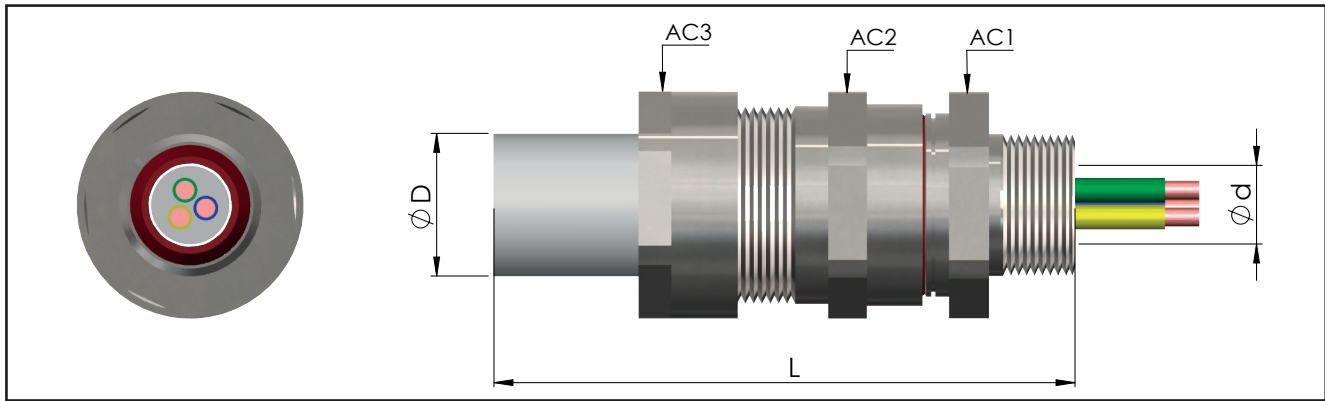
Classification: 2014/34/EU	Group II	Category 2GD
Installation: EN 60079-14	zone 1 - zone 2 (Gas)	zone 21 - zone 22 (Dust)
Marking:	CE 0722 Ex II 2 GD - Ex db IIC Gb - Ex eb IIC Gb II 2 D - Ex tb IIIC Db	
Certification:	ATEX	CESI 24 ATEX 016 X
	IEC Ex	IECEX CES 24.0012X
Standards:	CENELEC EN 60079-0: 2018, EN 60079-14: 2014, EN 62444: 2013, EN 60529: 1992+A2: 2013, EN 60079-1:2014, EN 60079-7:2015 and EUROPEAN DIRECTIVE 2014/34/UE IEC 60079-0: 2018, IEC 60079-0:2017, IEC 60079-14:2013, IEC 62444:2010, IEC 60529:2001, IEC 60079-1:2014, IEC 60079-7:2015 RoHS Directive 2011/65/UE	
Operating temperature:	-60°C +80°C	
Protection rating:	IP66/67/68	
Design	BS 6121: Part 1:1989, IEC 62444, EN 62444	

Certificates are available on www.elfit.com

ACCESSORIES UPON REQUEST

Locknuts	ISO thread	Nickel-plated brass	Stainless steel
	M16x1,5	DL01IB	DL01IS
	M20x1,5	DL11IB	DL11IS
	M25x1,5	DL21IB	DL21IS
	M32x1,5	DL31IB	DL31IS
	M40x1,5	DL41IB	DL41IS
	M50x1,5	DL51IB	DL51IS
	M63x1,5	DL61IB	DL61IS
	M75x1,5	DL71IB	DL71IS
	M90x1,5	DL81IB	DL81IS
	M100x1,5	DL10IB	DL10IS
M115x1,5	DL115IB	DL115IS	

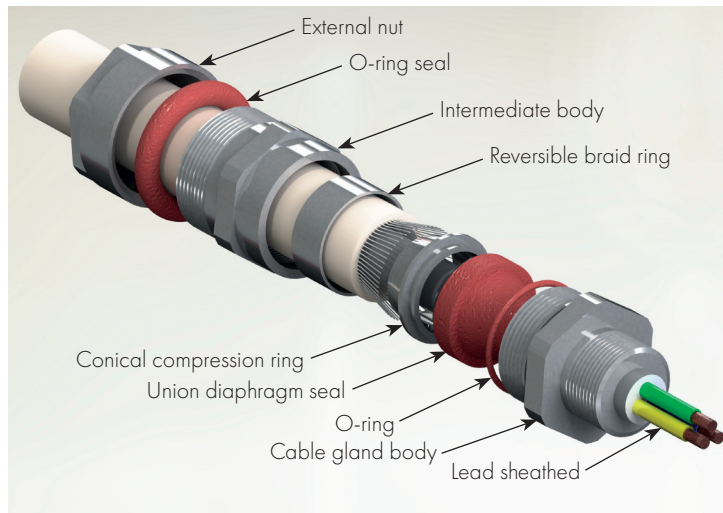
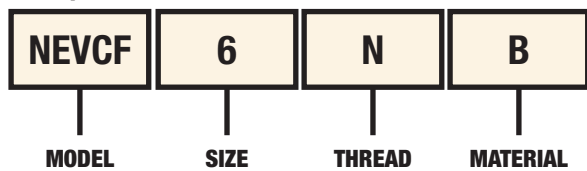
Nickel-plated brass earthing rings	ISO thread	Nickel-plated brass	Stainless steel	Serrated stainless steel lock washers	Code	Adapters and reducers of the RE... series
	M16x1,5	A0131IB	A0131IS		RD101S/A4	
	M20x1,5	A131IB	A131IS		RD11S/A4	
	M25x1,5	A231IB	A231IS		RD12S/A4	
	M32x1,5	A331IB	A331IS		RD13S/A4	
	M40x1,5	A431IB	A431IS		RD14S/A4	
	M50x1,5	A531IB	A531IS		RD15S/A4	
	M63x1,5	A631IB	A631IS		RD16S/A4	
	M75x1,5	A731IB	A731IS			
	M90x1,5	A831IB	A831IS			
	M100x1,5	A1031IB	A1031IS			
M115x1,5	A1031IB	A1031IS				



CABLE GLAND SELECTION TABLE

Code Nickel-plated brass	Thread	Code Nickel-plated brass	Thread	Dimensions in mm					Range		Armour thickness	Weight Kg
				AC1	AC2	AC3	L (NPT)	L (ISO)	Ød min-max Internal cable sheath	ØD min-max Outer sheath of the cable		
NEVCF01SNB	3/8" NPT	NEVCF16SIB	M16x1,5	24	24	22	64	63	3.5 - 8.0	6.5 - 12.0	0.8 - 1.25	
NEVCF01NB	3/8" NPT	NEVCF16IB	M16x1,5	24	24	24	61	60	6.0 - 11.0	9.0 - 16.0	0.8 - 1.25	
NEVCF1SNB	1/2" NPT	NEVCF20SIB	M20x1,5	24	24	24	66	60	6.0 - 11.0	9.0 - 16.0	0.8 - 1.25	
NEVCF1NB	1/2" NPT	NEVCF20IB	M20x1,5	30	30	30	66	60	8.5 - 14.5	12.0 - 20.0	0.8 - 1.25	
NEVCF2NB	3/4" NPT	NEVCF25IB	M25x1,5	36	36	36	75	63	12.0 - 20.0	16.0 - 26.0	1.25 - 1.6	
NEVCF3NB	1" NPT	NEVCF32IB	M32x1,5	46	46	46	90,5	79,5	17.0 - 26.0	20.0 - 33.0	1.6 - 2.0	
NEVCF4NB	1 1/4" NPT	NEVCF40IB	M40x1,5	55	55	55	97	82	23.0 - 32.0	29.0 - 41.0	1.6 - 2.0	
NEVCF5NB	1 1/2" NPT	NEVCF50IB	M50x1,5	65	65	65	105,7	92,7	29.0 - 41.0	36.0 - 52.0	1.8 - 2.5	
NEVCF6NB	2" NPT	NEVCF63IB	M63x1,5	80	80	80	118,7	105,7	40.0 - 56.0	50.0 - 65.0	2.8 - 2.5	
NEVCF7NB	2 1/2" NPT	NEVCF75IB	M75x1,5	95	95	95	144,7	118,7	54.5 - 68.0	61.0 - 78.0	1.8 - 2.5	
NEVCF8NB	3" NPT	NEVCF80IB	M80x1,5	106	106	106	143,2	115,2	67.0 - 73.0	75.0 - 89.0	2.0 - 3.5	
NEVCF9NB	3 1/2" NPT	NEVCF90IB	M90x1,5	106	106	106	143	115	67.0 - 77.0	75.0 - 89.0	2.0 - 3.5	
NEVCF10NB	4" NPT	NEVCF100IB	M100x1,5	127	127	127	158	129	75.0 - 91.0	88.0 - 104.0	2.5 - 4.0	

Sample order code



NOTE TECNICHE:

- Silicone o-rings are supplied for cylindrical threads (ISO metric) for the pre-assembled IP seal on the cable gland
- The ISO7/1 thread version is available upon request (sample code NEVCF1B)
- Also available in stainless steel AISI 316 (sample code NEVCF1NS)
- Internal ring for armoured cables with larger cross-section