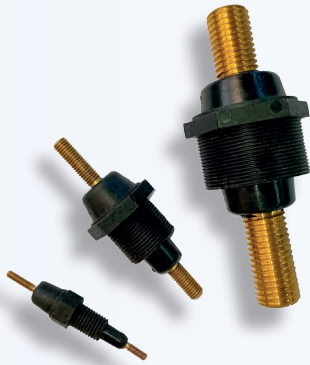


The conductor bushings are used as electrical connection between flameproof sides of enclosures or between flameproof side and increased safety side of enclosures. The conductor bushings are made in resin and equipped with a brass threaded rod.



Classification: 2014/34/UE	Group II	Category 2GD
Installation: EN 60079.14	zone 1 - zone 2 (Gas)	
Marking:	CE 0722 Ex I M2 Ex d I	
	CE 0722 Ex II 2 G Ex d IIC / Ex de IIC	
Certification:	ATEX CESI 11 ATEX 014U	

Standards:	CENELEC EN 60079-0:2006, EN 60079-1:2007, EN 60079-7:2007 and EUROPEAN DIRECTIVE 2014/34/UE
-------------------	---

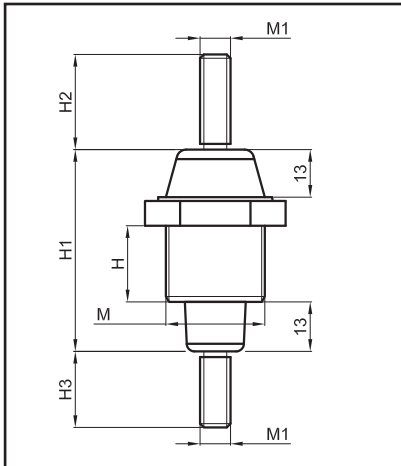
Operating temperature:	-50°C +150°C
-------------------------------	--------------

ACCESSORIES UPON REQUEST

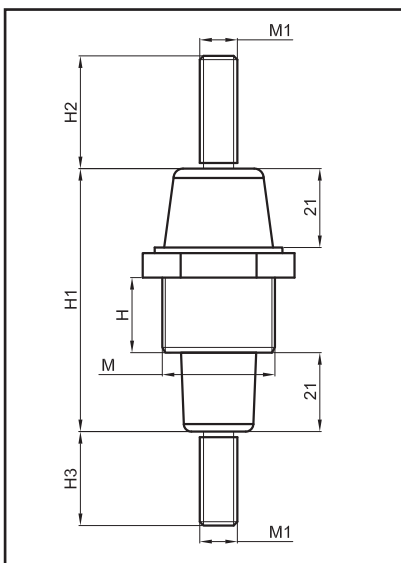
Locknuts	ISO thread	Nickel-plated brass	Stainless steel
	M12x1,5	DL02IB	DL02IS
	M16x1,5	DL01IB	DL01IS
	M26x1,5	DLIS026B	DLIS026S
	M30x1,5	DLIS030B	DLIS030S
	M36x1,5	DLIS036B	DLIS036S
	M42x1,5	DLIS042B	DLIS042S
	M48x1,5	DLIS048B	DLIS048S

ELECTRICAL FEATURES

Code	Rated current	Rated voltage
CB2-690	6A	690Vac
CB8-690	100A	
CB12-690	250A	
CB20-690	400A	
CB5-1100	25A	1100Vac
CB10-1100	160A	
CB16-1100	315A	

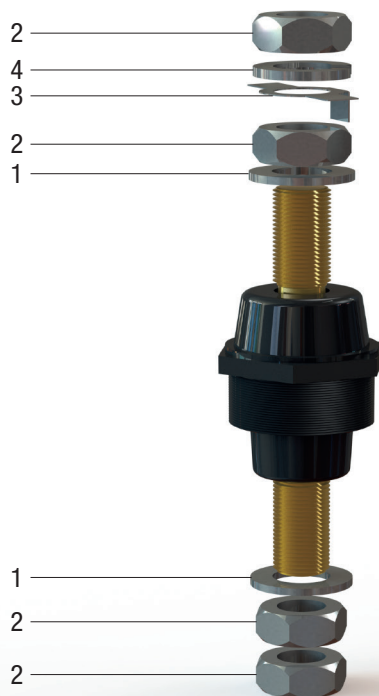


CONDUCTOR BUSHING SELECTION TABLE								
Code	ISO METRIC Thread	Dimensions in mm						
	M	M1	H	H1	H2	H3	AC	Weight (Kg)
CB2-690	M12x1,5	M4	16	51,2	16,5	11,5	15	0,02
CB8-690	M26x1,5	M8	20	53	26,5	19,5	32	0,10
CB12-690	M36x1,5	M12	22	56	31,5	21,5	41	0,25
CB20-690	M48x1,5	M20	25	60	32	42	50	0,60



CONDUCTOR BUSHING SELECTION TABLE								
Code	ISO METRIC Thread	Dimensions in mm						
	M	M1	H	H1	H2	H3	AC	Weight (Kg)
CB5-1100	M16x1,5	M5	16	67	16,5	13,5	20	0,04
CB10-1100	M30x1,5	M10	20	70	31,5	19,5	35	0,18
CB16-1100	M42x1,5	M16	22	73	27	37	45	0,42

Including accessories



- 1. Stainless Steel Flat Washer
- 2. Stainless Steel Hex Nut
- 3. Stainless Steel Anti-Rotation Bracket
- 4. Stainless Steel Grover Washer