

SLED-MN

- Zone 2, 21, 22
- Mechanical strength
- Reliability over time
- Instant, bright illumination

Painted aluminium body and cover

Cooling fins

Tempered glass



Ex e terminal board housing for fast connection



Mounting bracket

SLED-MN series LED floodlights

The SLED-MN series LED floodlights are designed with the 'Ex nR' and 'Ex tb' protection method to be installed in ATEX classified areas "Zone 2" and "Zone 21", where the equipment must guarantee a level of normal protection in the presence of mixtures of gases, vapors, and mists (Zone 2), and a high level of protection against dust and combustible particles (Zone 21). SLED-MN series floodlights are equipped with LED light sources that allow for a diffused light beam and an exceptional Lumen Output. The finned body acts as a heat dissipator for the LED plate and allows greater circulation of the air and water present in the surrounding environment, thus minimizing the deposit of combustible dust.

Application sectors:



CERTIFICATION DATA

Classification:	Group II	Category 2GD		
Installation: EN 60079.14	zone 2 (Gas)	zone 21 - zone 22 (Dust)		
Marking:	CE 0722 Ex II 3GD - Ex nR IIC T... Gc - Ex tc IIIC T... °C Dc - IP66			
	CE Ex II 2D - Ex tb IIIC T... °C Db - IP 66			
Certification:	ATEX ATEX	CML 19 ATEX 1312 CML 23 ATEX 4028X		
	IECEX	IECEX CML 17.0004	All IEC Ex, UKEX certification data can be downloaded at www.cortemgroup.com	
	UKEX	AVAILABLE		
Standards:	CENELEC EN 60079-0: 2018, EN 60079-15: 2019, EN 60079-31: 2014 and EUROPEAN DIRECTIVE 2014/34/UE IEC 60079-0: 2017, IEC 60079-15: 2010, IEC 60079-31: 2013 European Directive 2004/108 Electromagnetic compatibility European Directive 2012/19/UE, 2002/96/CE, 2003/108/CE WEEE European Directive 2011/65/UE RoHS			
Ambient temperature:	-60°C	+60°C	For all permitted ambient temperature ranges, please see the "Selection tables"	
Degree of protection:	IP66			

SLED-MN series LED floodlights



EXEMPT FROM
PHOTOBIOLOGICAL RISK
(STANDARD IEC / EN 62471)



ORIGINAL PRODUCT

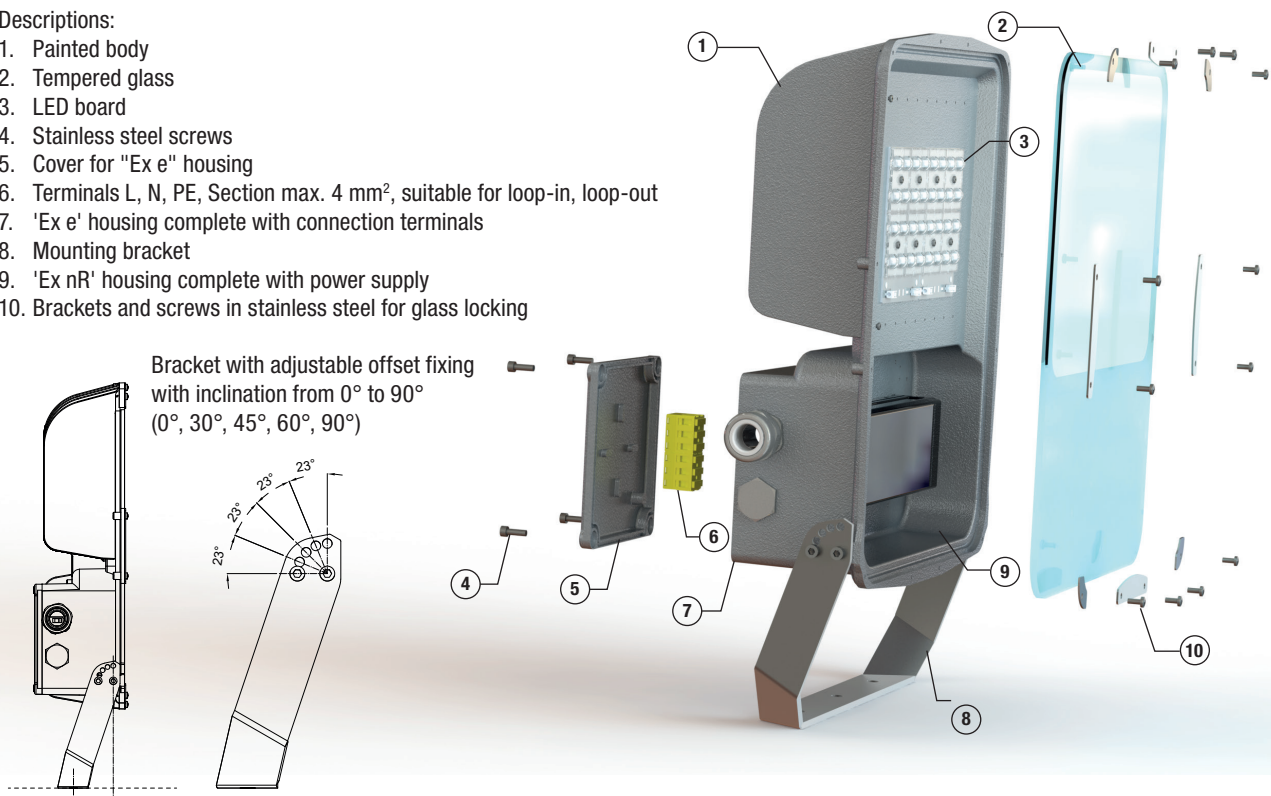
MECHANICAL FEATURES

Body:	Low copper content aluminium alloy fitted with cooling fins for better heat dissipation
Glass face:	Shock and temperature resistant tempered glass sealed with aluminium ring
Supporting bracket:	Galvanised steel
Gaskets:	Acid, hydrocarbon and high temperature resistant silicone
Bolts and screws:	Stainless steel
Entries:	2 x ISO M20 entries. (Floodlight kit with plug PLG21B and cable gland NAV251B)
Coating:	Polyester coating Ral 7035 (Light grey)
Corrosion Resistance:	The STANDARD of the aluminium alloy used by Cortem has passed the tests required by standards EN60068-2-30 (hot/humid cycles) and EN60068-2-11 (salt mist tests)

EXPLODED DIAGRAM OF SLED-MN-600500 FLOODLIGHT


Descriptions:

1. Painted body
2. Tempered glass
3. LED board
4. Stainless steel screws
5. Cover for "Ex e" housing
6. Terminals L, N, PE, Section max. 4 mm², suitable for loop-in, loop-out
7. 'Ex e' housing complete with connection terminals
8. Mounting bracket
9. 'Ex nR' housing complete with power supply
10. Brackets and screws in stainless steel for glass locking



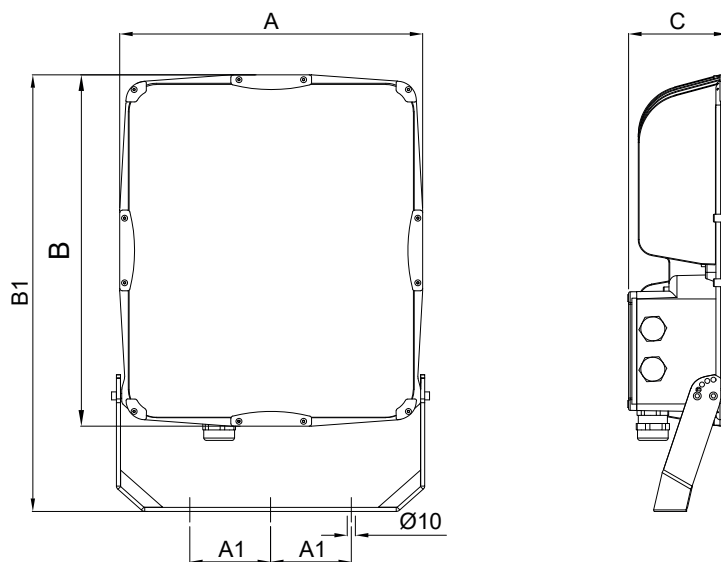
Bracket with adjustable offset fixing
with inclination from 0° to 90°
(0°, 30°, 45°, 60°, 90°)

SLED-MN series LED floodlights

Code	Dimensions mm					Watt	Class / Max surface temp. °C				Weight kg	
	A	B	B1	C	A1		TA=+40°C	TA=+50°C	TA=+55°C	TA=+60°C		
SLED-MN-400100	315	304	395	121	70	100 W	T6/81	T5/91	T5/96	T4/101	7	
SLED-MN-400150	315	304	395	121	70	147 W	T5/85	T5/95	T4/100	T4/105	7,8	
SLED-MN-400200	315	304	395	121	70	196 W	T5/85	T5/95	T4/100	T4/105	7,8	
SLED-MN-600300	375	435	540	121	100	268 W	T5/83	T5/93	T4/98	T4/103	13,6	
SLED-MN-600400	375	435	540	121	100	405 W	T5/91	T4/101	T4/110	T4/111	13,6	
SLED-MN-600500	375	435	540	121	100	497 W	T5/95	T4/105	T4/110	T4/115	15,6	

Zona 2, 21, 22

DIMENSIONAL DRAWING

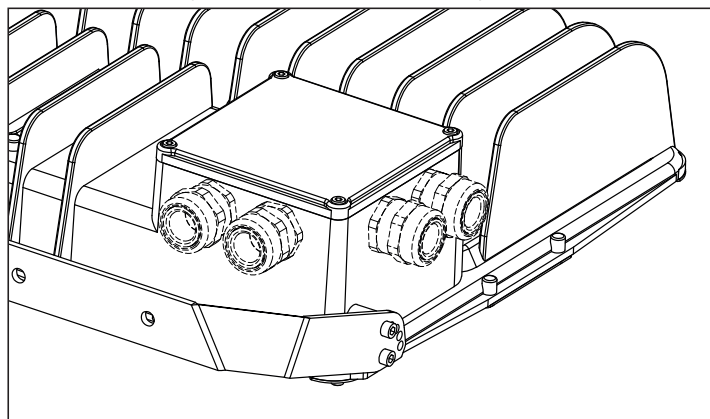


Dimensions in mm

ACCESSORIES AVAILABLE / SPECIAL REQUESTS

Different colour temperature (code SLED-MN-250120/**2700K**)
 Prensaestopas NAV25SIB adicional para cable no blindado

Drilling for different standard cable gland entries



Standard drilling

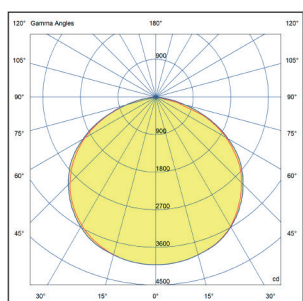


SLED-MN series LED floodlights

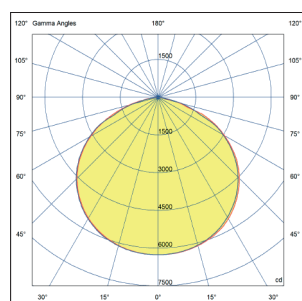
Electrical features	SLED-MN-400100	SLED-MN-400150	SLED-MN-400200
Power supply:	100-240 Vac ±10%	100-240 Vac ±10%	100-240 Vac ±10%
Rated frequency:	50-60 Hz ±5%	50-60 Hz ±5%	50-60 Hz ±5%
Power consumption*:	100 W	147 W	189 W
Connection:	Direct connection to terminal board L, N, Pe. Section 4mm ² , suitable for loop-in/loop-out		
Power factor*:	>0,98	>0,97	>0,98
Rated current*:	450 mA	660 mA	840 mA
EMC (electromagnetic compatibility):	EN 55015, EN 61547, IEC 61000-3-2, IEC 61000-3-3, IEC 61000-4...		
THD (total harmonic distortion):	<15% 100-277 Vac	<20% 120-277 Vac	<20% 120-277 Vac
Over-voltage protection:	2 kV	4 kV	4 kV
Driver performances:	Over-Voltage protection, Over-Current protection, Short-Circuit protection		
Dimmer (on request):	(0-10 V) o PWM	(0-10 V)	(0-10 V)
Photometric features			
Viewing angle:	Cree	Cree	Cree
LED:	60°	60°	60°
Type:	Cool White	Cool White	Cool White
Colour temperature:	~ 6500 K	~ 6500 K	~ 6500 K
CRI**:	>70	>70	>70
Instant Restrike:	SI	SI	SI
L80:	> 72600 h	> 72600 h	> 72600 h
Lumen:	12113 lm	18697 lm	23356 lm
Maximum light intensity:	4012 cd	6256 cd	7831 cd
Overall efficiency:	120 lm/W	127 lm/W	123 lm/W

* Test at 230Vac

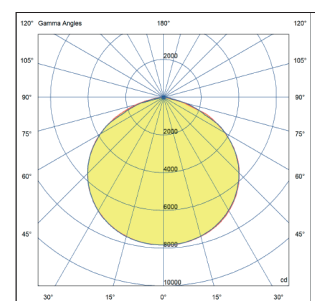
** Different CRI on request



SLED-MN-400100
Luminous flux: 12113 lm



SLED-MN-400150
Luminous flux: 18697 lm



SLED-MN-400200
Luminous flux: 23356 lm

On Cortem Group web site you can download .LDT and .IES lighting data files for the design and simulation of lighting levels in 2D and 3D, rendering and ray tracing.

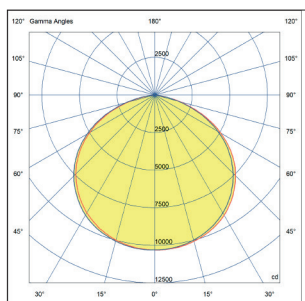
— = plane 90270
— = plane 0180

SLED-MN series LED floodlights

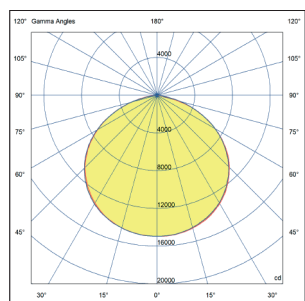
Características eléctricas	SLED-MN-600300	SLED-MN-600400	SLED-MN-600500
Tensión de alimentación:	120-277 Vac ±10%	122-240 Vac ±10%	122-240 Vac ±10%
Frecuencia nominal:	50-60 Hz ±5%	50-60 Hz ±5%	50-60 Hz ±5%
Consumo*:	268 W	396 W	488 W
Conexión:	Direct connection to terminal board L, N, Pe. Section 4mm ² , suitable for loop-in/loop-out		
Factor de potencia*:	>0,97	>0,98	>0,98
Corriente nominal*:	1210 mA	1750 mA	2170 mA
EMC (compatibilidad electromagnética):	EN 55015, EN 61547, IEC 61000-3-2, IEC 61000-3-3, IEC 61000-4-...		
THD (distorsión armónica total):	<10% 220-240 Vac	<10% 220-240 Vac	<20% 120-277 Vac
Protección de sobretensiones:	6-10 kV	6-10 kV	2-4 kV
Prestaciones driver:	Over-Voltage protection, Over-Current protection, Short-Circuit protection		
Dimmer (bajo pedido):	(0-10 V) o PWM	(0-10 V) / PWM	(0-10 V) / PWM
Características fotométricas			
LED:	Cree	Cree	Cree
Ángulo de luz (viewing angle):	98°	100°	105°
Tipo:	Cool White	Cool White	Cool White
Temperatura del color:	~ 5700 K	~ 5700 K	~ 5700 K
CRI**:	>70	>70	>70
Reencendido instantáneo:	SI	SI	SI
L80:	> 72600 h	> 72600 h	> 72600 h
Lumen:	30992 lm	44750 lm	61752 lm
Intensidad máxima luminosa:	10300 cd	14951 cd	20619 cd
Eficiencia global	115 lm/W	113 lm/W	126 lm/W

* Test at 230Vac

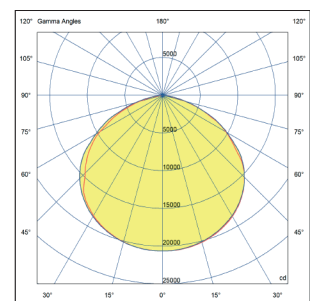
** Different CRI on request



SLED-MN-600300
Luminous flux: 30992 lm



SLED-MN-600400
Luminous flux: 44750 lm



SLED-MN-600500
Luminous flux: 61752 lm

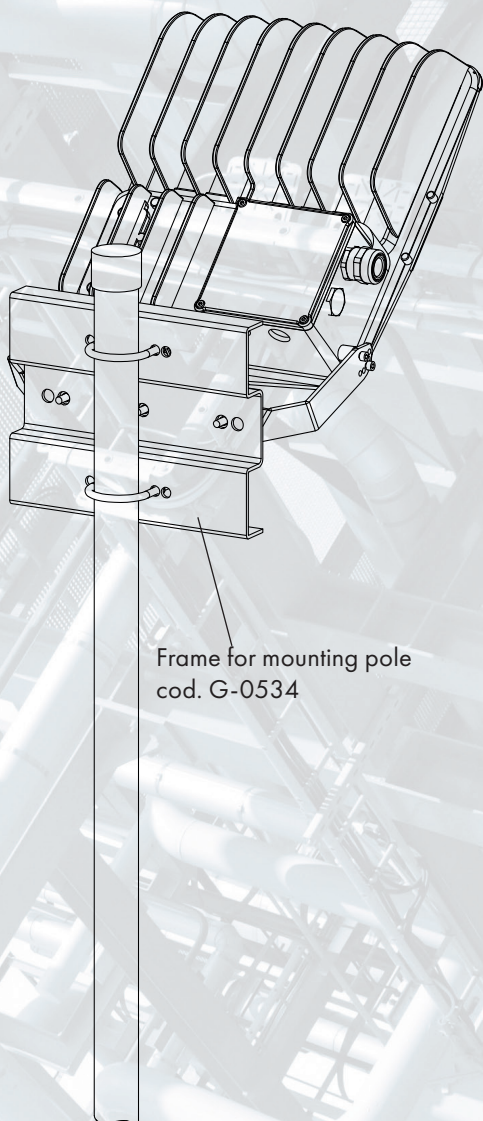
On Cortem Group web site you can download .LDT and .IES lighting data files for the design and simulation of lighting levels in 2D and 3D, rendering and ray tracing.

— = plane 90270
— = plane 0180

SLED-MN series Accessories and spare parts available on request

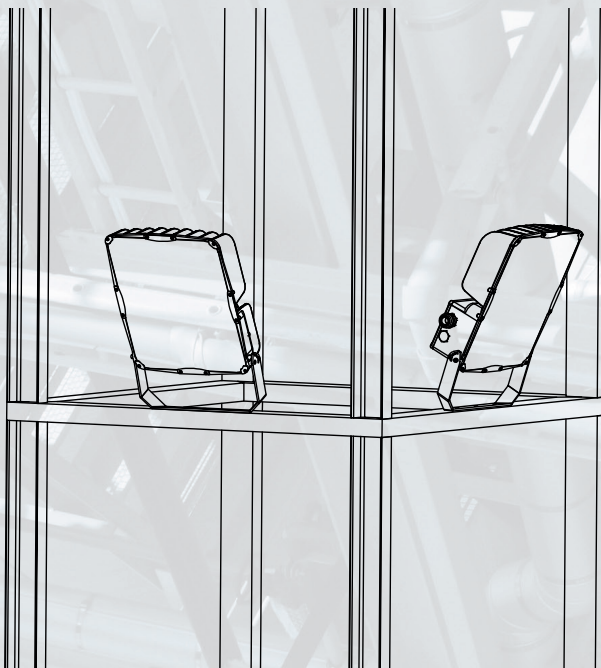
ILLUSTRATION	DESCRIPTION	MODEL	FEATURES	CODE	KEY
	Frame for pole mounting	Per tutti i modelli	Material: galvanised steel	G-0534	 
	Swivel base for 360° adjustment	SLED-MN-...	Material: aluminum RAL 7035 painted	G-153 + G-161	 
	Cable gland for nonarmored cables	SLED-MN-...	std. range cable 6,5÷14	NAV20IB	 
			std. range cable 11÷20	NAV25IB	
	Front glass	SLED-MN-400...	Material: tempered glass	G-1283	
		SLED-MN-600...		G-1275	
	Supporting bracket	SLED-MN-400...	Material: galvanised steel	G-1282	
		SLED-MN-600...		G-1276	
	LED board	SLED-MN-400100		G-1219	
		SLED-MN-400150		G-1219	
		SLED-MN-400200		G-1219 (X2)	
		SLED-MN-600300		G-1219 (X2)	
		SLED-MN-600400		G-970	
		SLED-MN-600500		G-1026	
	Power supply	SLED-MN-400100	100-240 Vac	LEDDEVL080/8	
		SLED-MN-400150	120-240 Vac	LEDDEVL100/1/11	
		SLED-MN-400200	120-240 Vac	LEDDEVL100/1/10	
		SLED-MN-600300	120-277 Vac	LEDDSLEDMN600300	
		SLED-MN-600400	122-277 Vac	LEDDEVL100/1	
		SLED-MN-600500	122-277 Vac	LEDDSLED1001	

Example of pole mounting

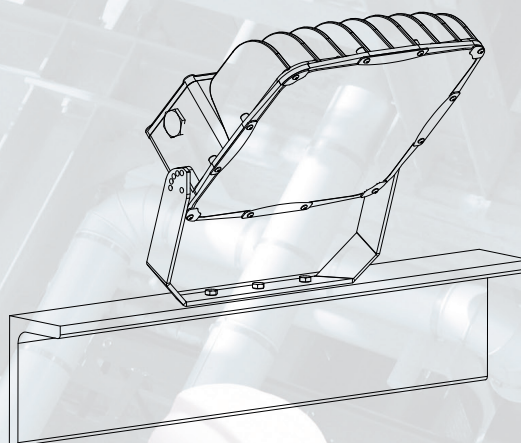


Frame for mounting pole
cod. G-0534

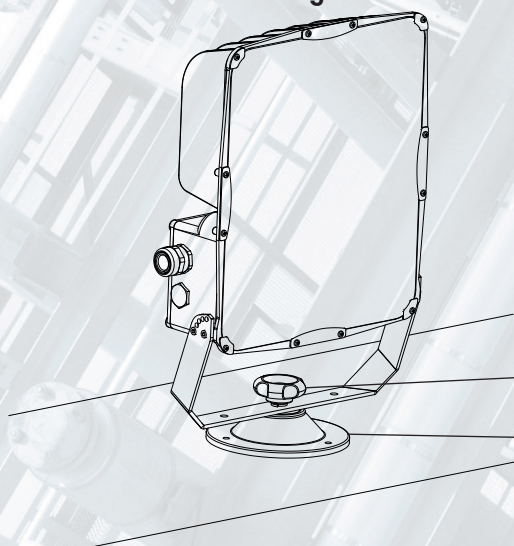
Example of vertical mounting on structure



Example of horizontal mounting on structure



Example with base for swivel fixing



Clamping knob with 5 lobes cod. G-153

Fixing base in aluminum cod. G-161