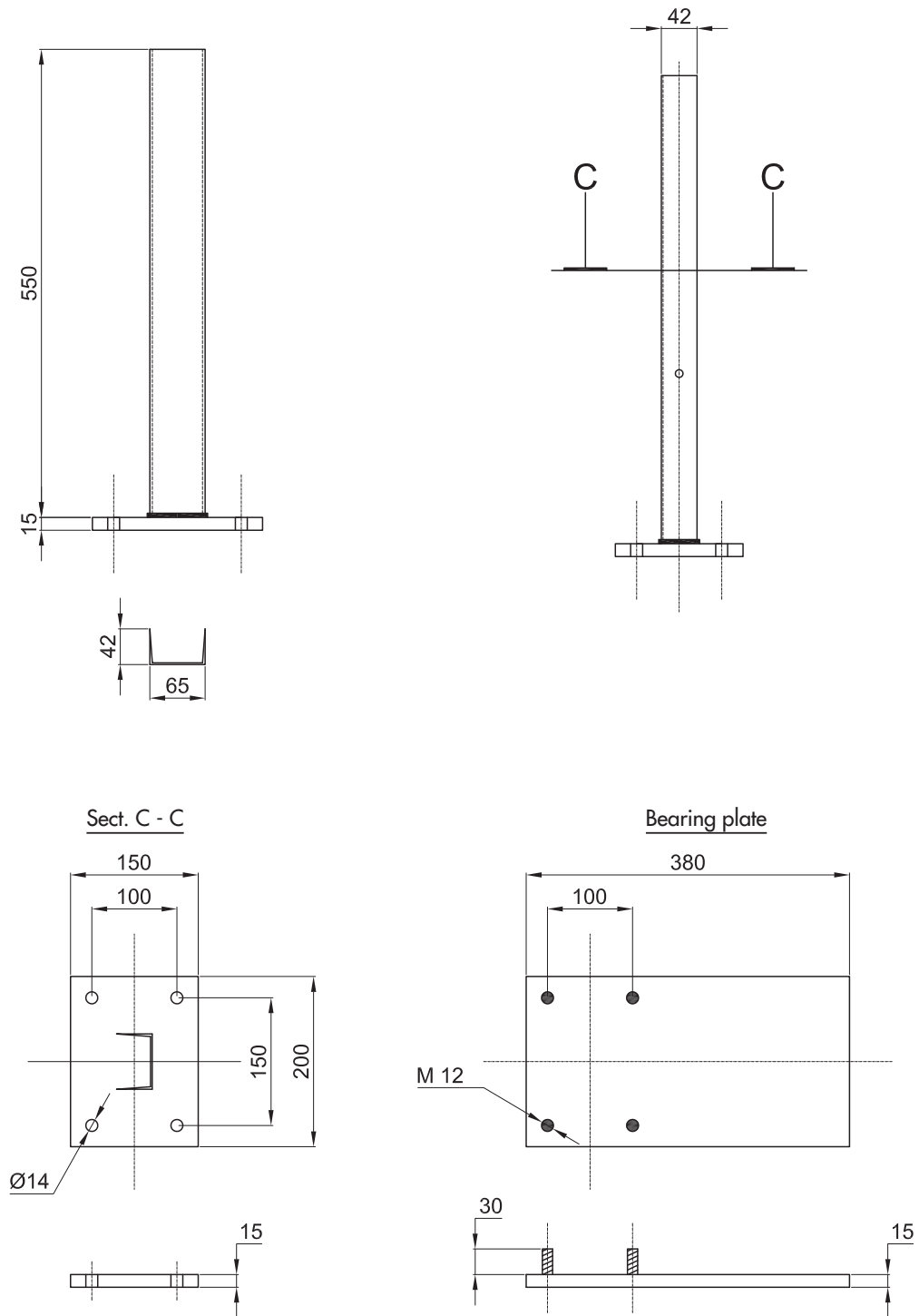


Series 01 - Supporting posts

Supporting for lighting fixtures handrail mounted

Code: COLONNINA 01

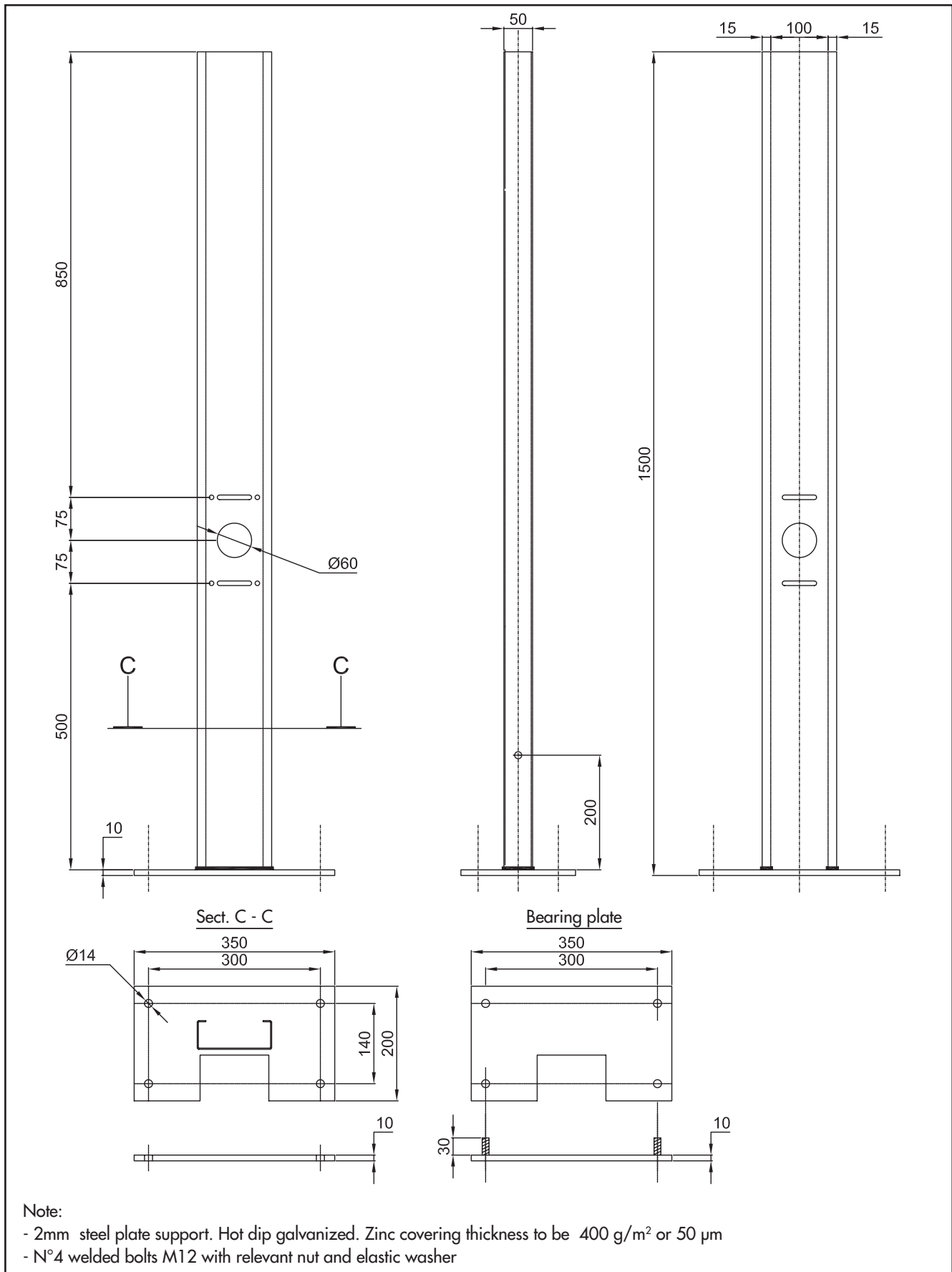
Supporting



Note:

- 2mm steel plate support. Hot dip galvanized. Zinc covering thickness to be 400 g/m² or 50 µm
- N°4 welded bolts M12 with relevant nut and elastic washer

Code: COLONNINA 03

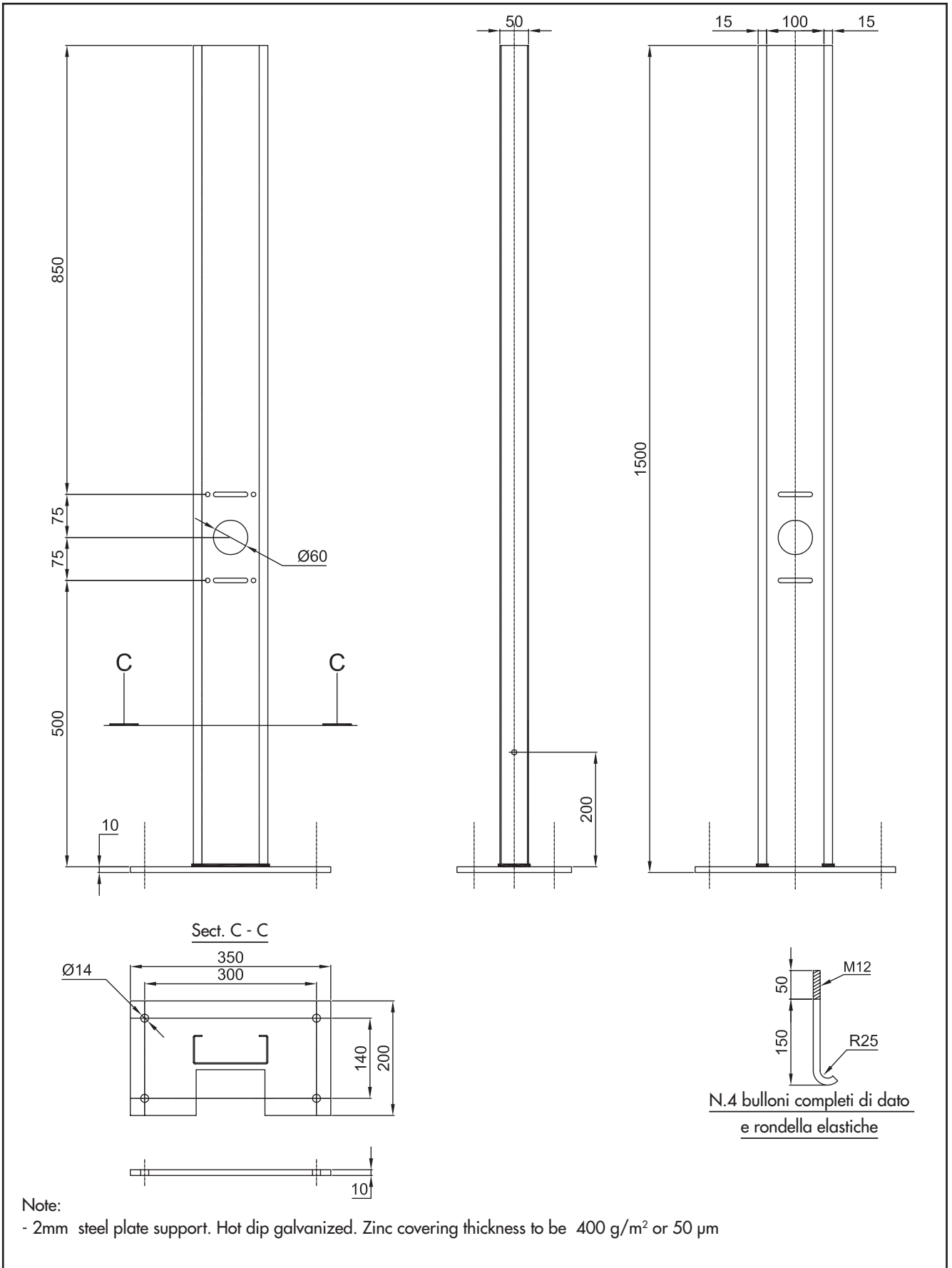


Series 04 - Supporting posts

Supporting for equipment on structure on foundation block

Code: COLONNINA 04

Supporting

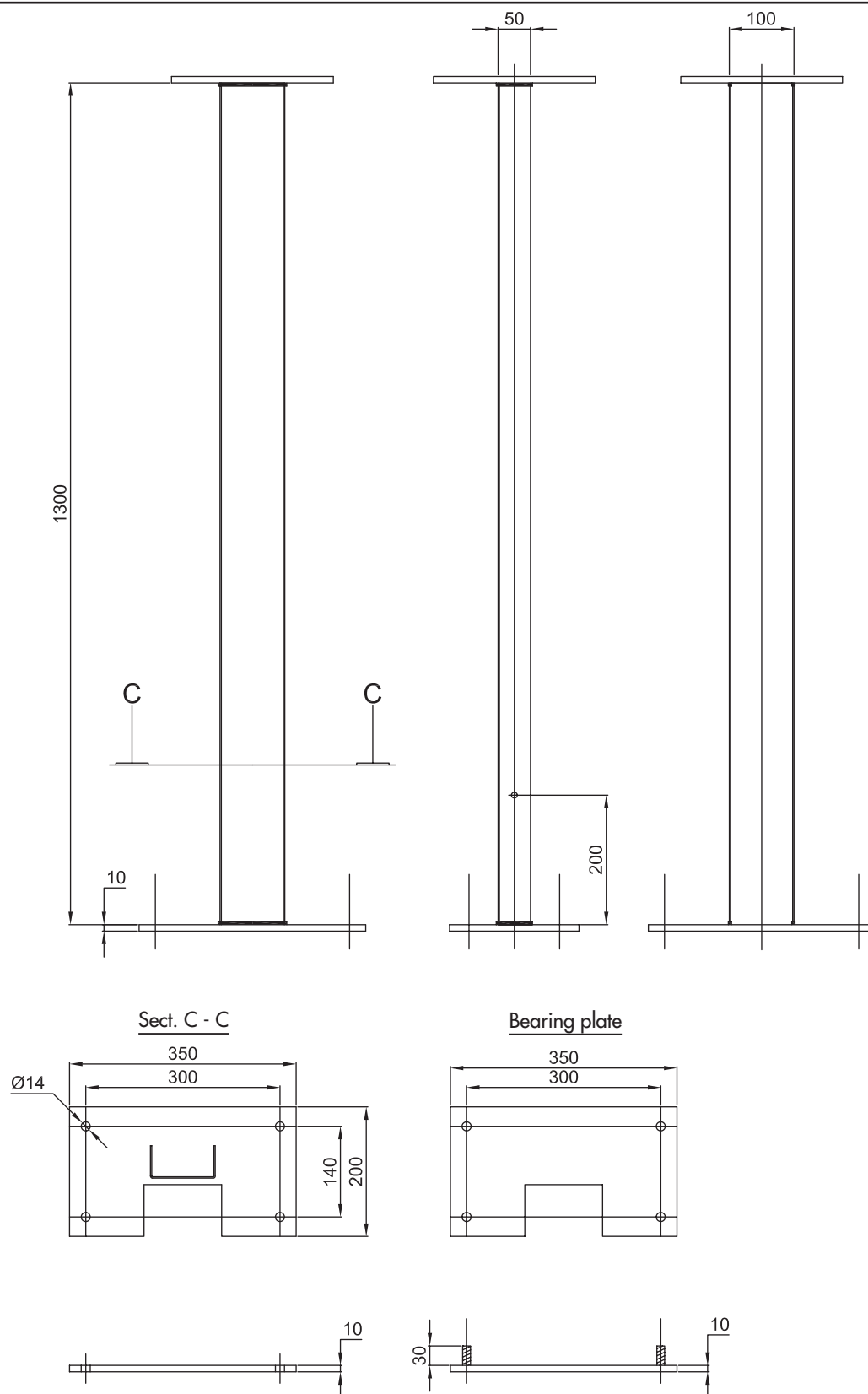


Series 05 - Supporting posts

Supporto apparecchiature, installazione su struttura.

Code: COLONNINA 05

Supporting



Note:

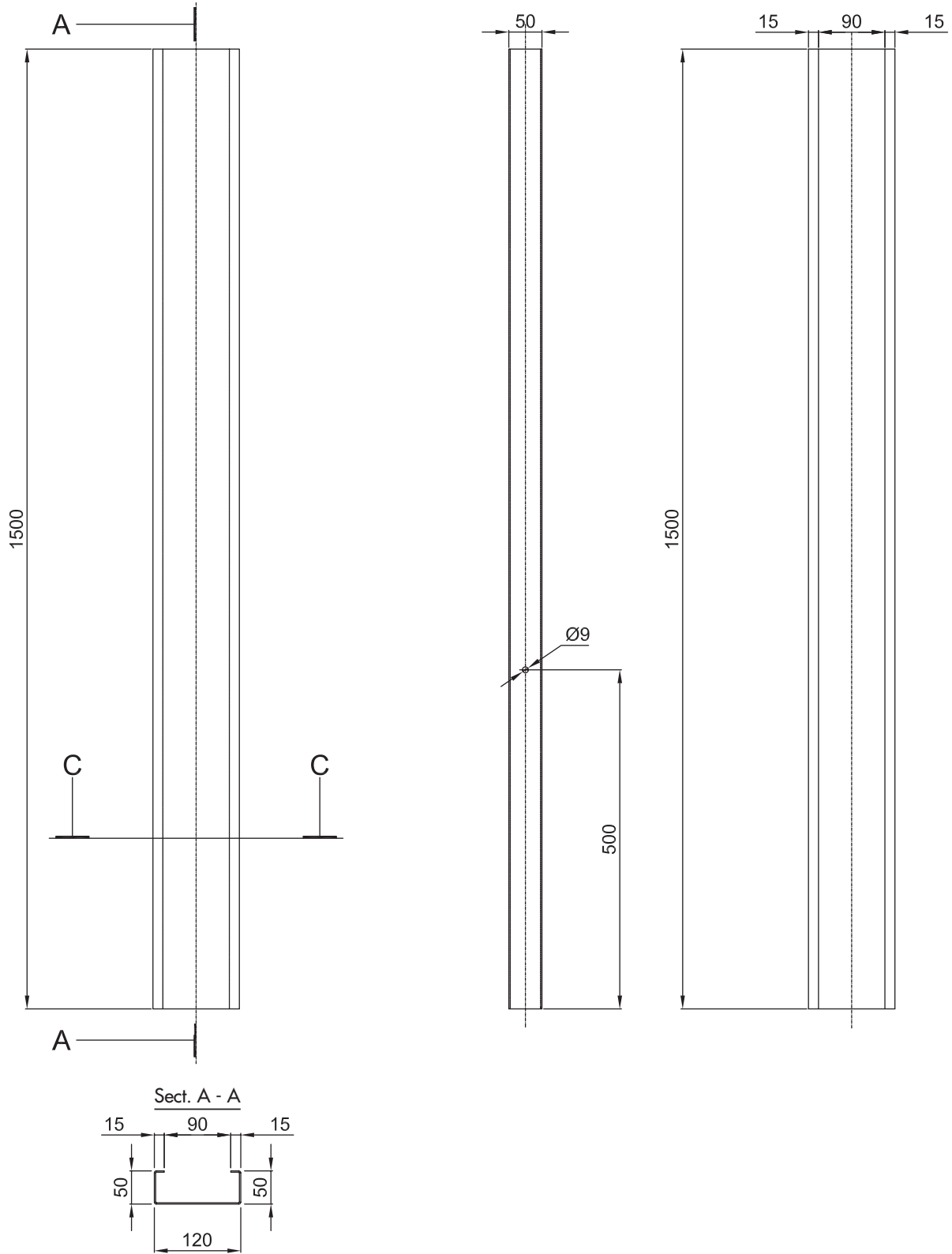
- 2mm steel plate support. Hot dip galvanized. Zinc covering thickness to be 400 g/m² or 50 μ m
- N°4 welded bolts M12 with relevant nut and elastic washer

Series 06 - Supporting posts

Supporting for equipment on foundation block

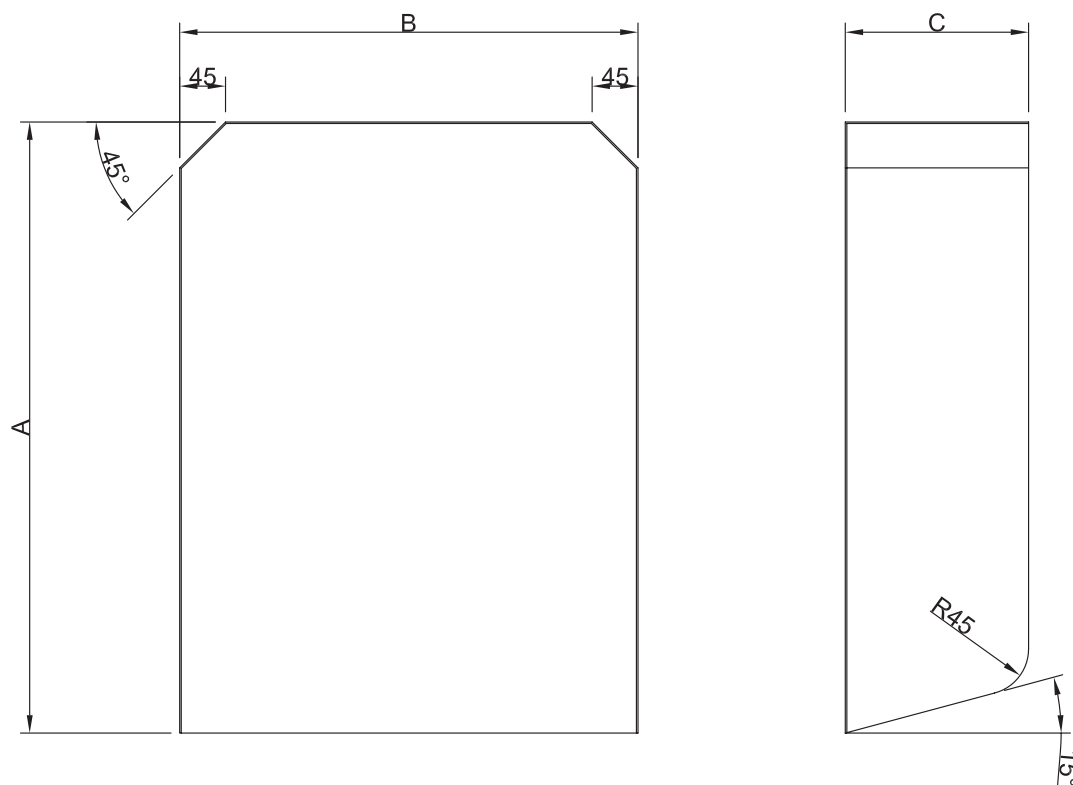
Code: COLONNINA 06

Supporting



Note:
- Support in stainless steel AISI 316 L plate 15/10 hick

Protection cap for posts



Code	Dimensions (mm)			Thickness
	A	B	C	
N1-300	600	200	180	20/10
N2-300	600	450	180	
N3-300	300	200	180	

Note:

- Material: Hot dip galvanized plate